

Flat suction cup (oval)

SAOF 90x30 HT2-65 G3/8-IG

<https://www.schmalz.com/10.01.05.00745>



Part no.: 10.01.05.00745

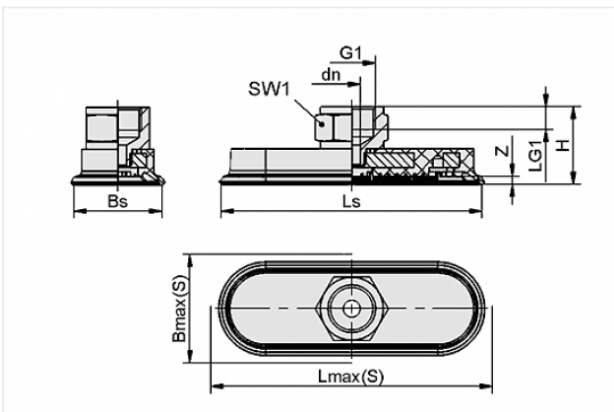
Homepage > Vacuum Technology for Automation > Vacuum Components > Vacuum Suction Cups > Suction Cups for High-Temperature Applications > Flat Suction Cups SAOF HT2 (Oval) > SAOF 90x30 HT2-65 G3/8-IG

Flat suction cup (oval) for very dynamic handling



Dimensions (LxB): 90 x 30 mm
 Suction cup material:
 High temp material HT2
 Material hardness: 65 °Sh
 Temperature resistance: 250 °C
 Nipple material: Brass, nickel-plated
 Vacuum connection: G3/8-F

Design Data



Attribute	Value
Bmax(S)	34 mm
Bs	30.6 mm
dn	6 mm
G1	G3/8"-F
H	27 mm
LG1	9 mm
Lmax(S)	94 mm
Ls	90.6 mm
SW1	22 mm
Z	3 mm

Contact to Schmalz

J. Schmalz GmbH | Johannes-Schmalz-Straße, 72293 Glatten, Deutschland | +49 7443 2403-102 | customercenter@schmalz.de

Technical Data

Attribute	Value
Suction force	122 N
Lateral force	94 N
Volume	7 cm ³
Curve radius (min) (convex)	40 mm
Internal hose diameter (recom.)	4 mm
Dimensions (LxB)	90 x 30 mm
Connection	G3/8"-F
Nipple material	Brass, nickel-plated
Number of folds	0
Suction cup material	High temp material HT2
Material hardness	65 °Sh
Temperature resistance	250 °C
Weight	68.6 g
Product family	SAOF
