

Flat suction cup (oval)

SAOF 90x30 HT2-65 G1/4-IG

<https://www.schmalz.com/10.01.05.00746>



Part no.: 10.01.05.00746

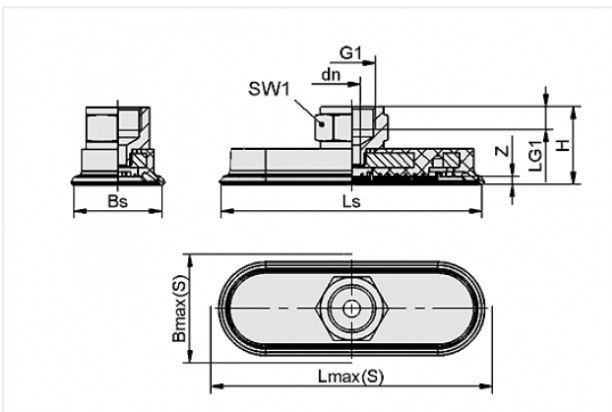
Homepage > Vacuum Technology for Automation > Vacuum Components > Vacuum Suction Cups > Suction Cups for High-Temperature Applications > Flat Suction Cups SAOF HT2 (Oval) > SAOF 90x30 HT2-65 G1/4-IG

Flat suction cup (oval) for very dynamic handling



Dimensions (LxB): 90 x 30 mm
Suction cup material:
High temp material HT2
Material hardness: 65 °Sh
Temperature resistance: 250 °C
Nipple material: Brass, nickel-plated
Vacuum connection: G1/4-F

Design Data



Attribute	Value
-----------	-------

Bmax(S)	34 mm
---------	-------

Bs	30.6 mm
----	---------

dn	6 mm
----	------

G1	G1/4"-F
----	---------

H	26 mm
---	-------

LG1	8 mm
-----	------

Lmax(S)	94 mm
---------	-------

Ls	90.6 mm
----	---------

SW1	17 mm
-----	-------

Z	3 mm
---	------

Contact to Schmalz

J. Schmalz GmbH | Johannes-Schmalz-Straße, 72293 Glatten, Deutschland | +49 7443 2403-102 | customercenter@schmalz.de

Technical Data

Attribute	Value
Suction force	122 N
Lateral force	94 N
Volume	7 cm ³
Curve radius (min) (convex)	40 mm
Internal hose diameter (recom.)	4 mm
Dimensions (LxB)	90 x 30 mm
Connection	G1/4"-F
Nipple material	Brass, nickel-plated
Number of folds	0
Suction cup material	High temp material HT2
Material hardness	65 °Sh
Temperature resistance	250 °C
Weight	56 g
Product family	SAOF
