

Friction surface (f. spec. grippers)

REIB-FL SBS HT1-60

<https://www.schmalz.com/10.01.01.12780>



Part no.: 10.01.01.12780

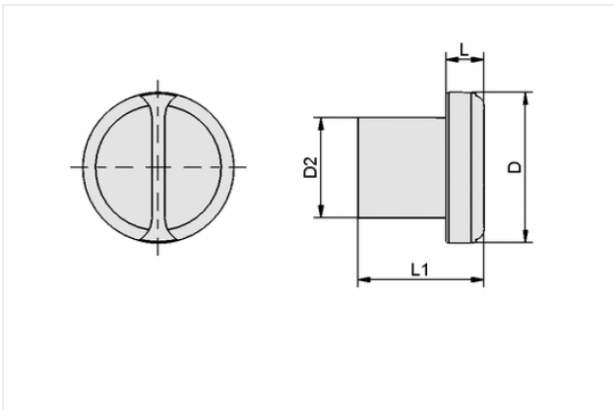
Homepage > Vacuum Technology for Automation > Vacuum Components > Special Grippers > Floating Suction Cups > REIB-FL SBS HT1-60

Friction Surface to increase lateral forces



for: Floating suction cup
Suction cup material:
High temp material HT1
Material hardness: 60 °Sh

Design Data



Attribute	Value
D	6 mm
D2	4 mm
L	1.5 mm
L1	5 mm

Technical Data

Attribute	Value
Suction cup material	High temp material HT1
Material hardness	60 °Sh
Weight	0.1 g

Contact to Schmalz

J. Schmalz GmbH | Johannes-Schmalz-Straße, 72293 Glatten, Deutschland | +49 7443 2403-102 | customercenter@schmalz.de



[Contact to Schmalz](#)

J. Schmalz GmbH | Johannes-Schmalz-Straße, 72293 Glatten, Deutschland | +49 7443 2403-102 |
customercenter@schmalz.de