

Flat suction cup (oval)

<https://www.schmalz.com/10.01.05.00847>



SAOF 60x23 HT2-65 RA

Part no.: 10.01.05.00847

Homepage > Vacuum Technology for Automation > Vacuum Components > Vacuum Suction Cups > Suction Cups for High-Temperature

Applications > Flat Suction Cups SAOF HT2 (Oval) > SAOF 60x23 HT2-65 RA

Flat suction cup (oval) for very dynamic handling



Dimensions (LxB): 60 x 23 mm

Suction cup material:

High temp material HT2

Material hardness: 65 °Sh

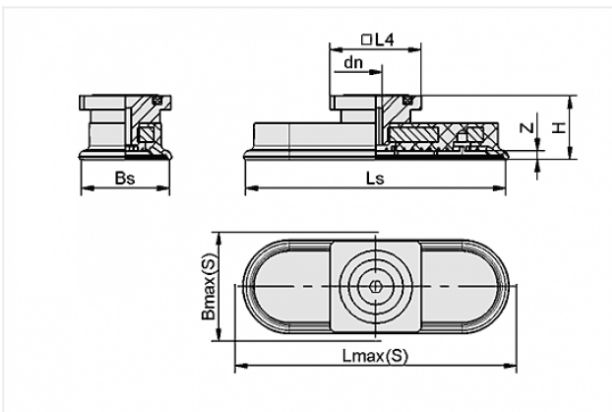
Temperature resistance: 250 °C

Nipple material: Aluminium

Vacuum connection:

Rectangular adapter

Design Data



Attribute	Value
-----------	-------

Bmax(S)	25 mm
---------	-------

Bs	21.6 mm
----	---------

dn	4 mm
----	------

H	21 mm
---	-------

L4	32 mm
----	-------

Lmax(S)	64 mm
---------	-------

Ls	60.6 mm
----	---------

Z	3 mm
---	------

Technical Data

Contact to Schmalz

J. Schmalz GmbH | Johannes-Schmalz-Straße, 72293 Glatten, Deutschland | +49 7443 2403-102 | customercenter@schmalz.de

Attribute	Value
Suction force	57 N
Lateral force	37 N
Volume	3.89 cm ³
Curve radius (min) (convex)	20 mm
Internal hose diameter (recom.)	4 mm
Dimensions (LxB)	60 x 23 mm
Connection	Rectangular adapter
Nipple material	Aluminium
Number of folds	0
Suction cup material	High temp material HT2
Material hardness	65 °Sh
Temperature resistance	250 °C
Weight	33.5 g
Product family	SAOF