

Flat suction cup (oval)

SAOF 60x23 HT2-65 G1/4-AG

<https://www.schmalz.com/10.01.05.00743>



Part no.: 10.01.05.00743

Homepage > Vacuum Technology for Automation > Vacuum Components > Vacuum Suction Cups > Suction Cups for High-Temperature

Applications > Flat Suction Cups SAOF HT2 (Oval) > SAOF 60x23 HT2-65 G1/4-AG

Flat suction cup (oval) for very dynamic handling



Dimensions (LxB): 60 x 23 mm

Suction cup material:

High temp material HT2

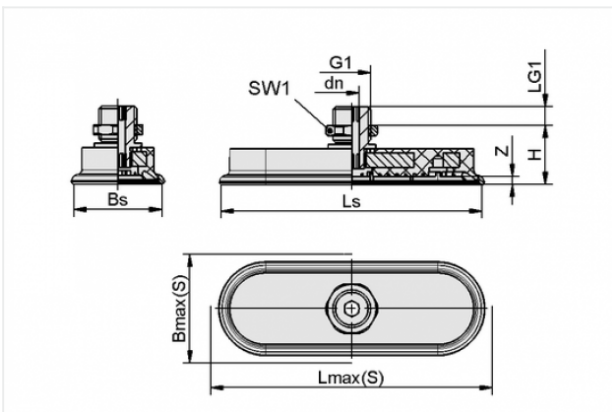
Material hardness: 65 °Sh

Temperature resistance: 250 °C

Nipple material: Aluminium

Vacuum connection: G1/4-M

Design Data



Attribute	Value
-----------	-------

Bmax(S)	25 mm
---------	-------

Bs	21.6 mm
----	---------

dn	5 mm
----	------

G1	G1/4"-M
----	---------

H	18 mm
---	-------

LG1	8 mm
-----	------

Lmax(S)	64 mm
---------	-------

Ls	60.6 mm
----	---------

SW1	17 mm
-----	-------

Z	3 mm
---	------

Contact to Schmalz

J. Schmalz GmbH | Johannes-Schmalz-Straße, 72293 Glatten, Deutschland | +49 7443 2403-102 | customercenter@schmalz.de

Technical Data

Attribute	Value
Suction force	57 N
Lateral force	36 N
Volume	3 cm ³
Curve radius (min) (convex)	20 mm
Internal hose diameter (recom.)	4 mm
Dimensions (LxB)	60 x 23 mm
Connection	G1/4"-M
Nipple material	Aluminium
Number of folds	0
Suction cup material	High temp material HT2
Material hardness	65 °Sh
Temperature resistance	250 °C
Weight	23.2 g
Product family	SAOF
