

Flat suction cup (oval)

SAOF 140x70 NBR-60 M10-AG

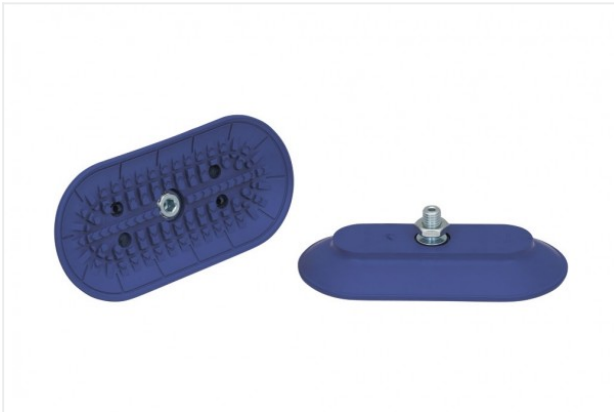
<https://www.schmalz.com/10.01.05.00338>



Part no.: 10.01.05.00338

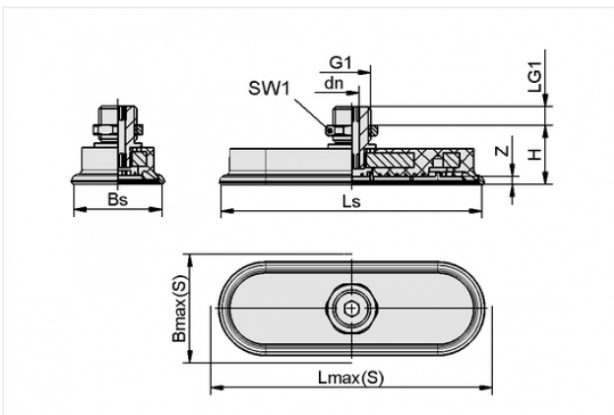
Homepage > Vacuum Technology for Automation > Vacuum Components > Vacuum Suction Cups > Flat Suction Cups (Oval) > Flat Suction Cups SAOF (Oval) > SAOF 140x70 NBR-60 M10-AG

Flat suction cup (oval) for very dynamic handling of smooth and oily workpieces



Dimensions (LxB): 140 x 70 mm
 Suction cup material:
 Nitrile rubber NBR
 Material hardness: 60 °Sh
 Nipple material: Steel
 Vacuum connection: M10-M

Design Data



| Attribute | Value |
|-----------|----------|
| Bmax(S) | 76 mm |
| Bs | 67.6 mm |
| dn | 4 mm |
| G1 | M10-M |
| H | 25 mm |
| LG1 | 10 mm |
| Lmax(S) | 149 mm |
| Ls | 140.6 mm |
| SW1 | 17 mm |
| Z | 7 mm |

Contact to Schmalz

J. Schmalz GmbH | Johannes-Schmalz-Straße, 72293 Glatten, Deutschland | +49 7443 2403-102 | customercenter@schmalz.de

Technical Data

| Attribute | Value |
|---------------------------------|----------------------|
| Suction force | 425 N |
| Lateral force | 344 N |
| Lateral force (oily surface) | 230 N |
| Volume | 57.3 cm ³ |
| Curve radius (min) (convex) | 90 mm |
| Internal hose diameter (recom.) | 6 mm |
| Dimensions (LxB) | 140 x 70 mm |
| Number of folds | 0 |
| Suction cup material | Nitrile rubber NBR |
| Material hardness | 60 °Sh |
| Weight | 96 g |
| Product family | SAOF |

Note:

- Suction force: The specified suction forces are theoretical values at a vacuum of -0.6 bar and with a smooth, dry workpiece surface - they do not include a safety factor
- Lateral force: The specified lateral forces are values measured at a vacuum of -0.6 bar with a dry or oily, smooth, flat workpiece surface. Depending on the workpiece surface and its quality, the actual values may deviate from these values
- Hose diameter: The recommended hose diameter refers to a hose length of approx. 2 m