

# Flat suction cup (oval)

## SAOF 140x70 NBR-45 G3/8-IG

<https://www.schmalz.com/10.01.05.00605>



Part no.: 10.01.05.00605

Homepage > Vacuum Technology for Automation > Vacuum Components > Vacuum Suction Cups > Flat Suction Cups (Oval) > Flat Suction Cups SAOF (Oval) > SAOF 140x70 NBR-45 G3/8-IG

## Flat suction cup (oval) for very dynamic handling of smooth and oily workpieces



Dimensions (LxB): 140 x 70 mm

Suction cup material:

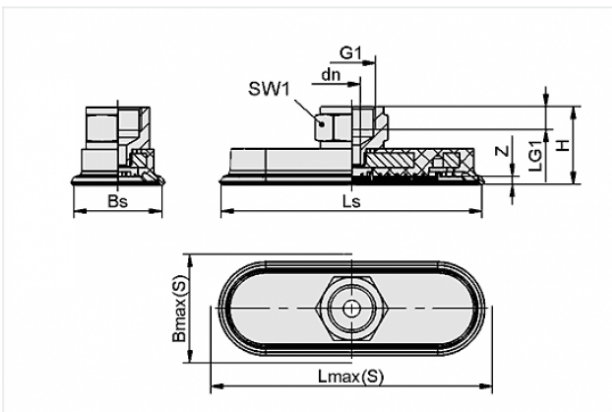
Nitrile rubber NBR

Material hardness: 45 °Sh

Nipple material: Brass, nickel-plated

Vacuum connection: G3/8-F

### Design Data



Attribute	Value
-----------	-------

Bmax(S)	76 mm
---------	-------

Bs	67.6 mm
----	---------

dn	8 mm
----	------

G1	G3/8"-F
----	---------

H	33 mm
---	-------

LG1	9 mm
-----	------

Lmax(S)	149 mm
---------	--------

Ls	140.6 mm
----	----------

SW1	22 mm
-----	-------

Z	7 mm
---	------

### Contact to Schmalz

J. Schmalz GmbH | Johannes-Schmalz-Straße, 72293 Glatten, Deutschland | +49 7443 2403-102 | [customercenter@schmalz.de](mailto:customercenter@schmalz.de)

## Technical Data

Attribute	Value
Suction force	425 N
Lateral force	344 N
Lateral force (oily surface)	230 N
Volume	57.3 cm <sup>3</sup>
Curve radius (min) (convex)	90 mm
Internal hose diameter (recom.)	6 mm
Dimensions (LxB)	140 x 70 mm
Number of folds	0
Suction cup material	Nitrile rubber NBR
Material hardness	45 °Sh
Weight	107 g
Product family	SAOF

### Note:

- Suction force: The specified suction forces are theoretical values at a vacuum of -0.6 bar and with a smooth, dry workpiece surface - they do not include a safety factor
- Lateral force: The specified lateral forces are values measured at a vacuum of -0.6 bar with a dry or oily, smooth, flat workpiece surface. Depending on the workpiece surface and its quality, the actual values may deviate from these values
- Hose diameter: The recommended hose diameter refers to a hose length of approx. 2 m