

# Flat suction cup (oval)

<https://www.schmalz.com/10.01.05.00555>

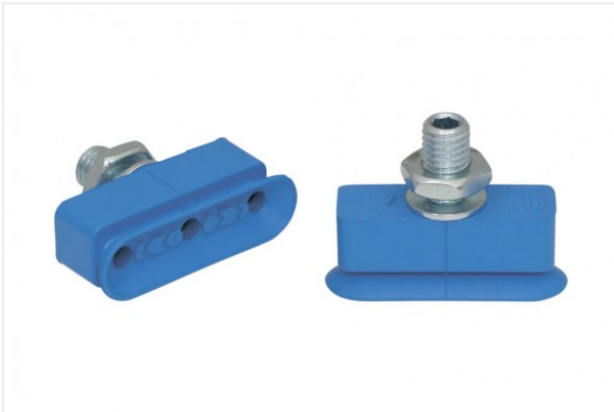


## SAOF 50x16 NBR-45 M10-AG

Part no.: 10.01.05.00555

Homepage > Vacuum Technology for Automation > Vacuum Components > Vacuum Suction Cups > Flat Suction Cups (Oval) > Flat Suction Cups SAOF (Oval) > SAOF 50x16 NBR-45 M10-AG

### Flat suction cup (oval) for very dynamic handling of smooth and oily workpieces



Dimensions (LxB): 50 x 16 mm

Suction cup material:

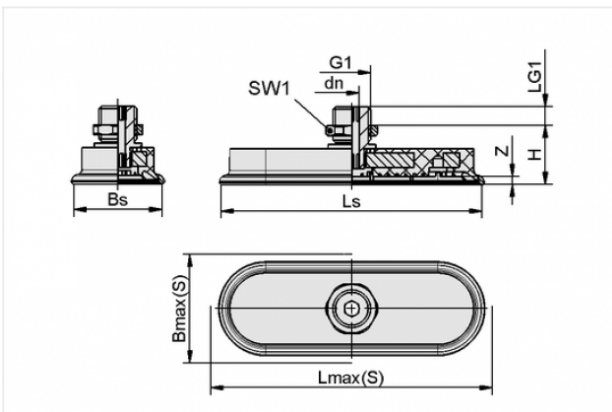
Nitrile rubber NBR

Material hardness: 45 °Sh

Nipple material: Steel

Vacuum connection: M10-M

#### Design Data



Attribute	Value
-----------	-------

Bmax(S)	18 mm
---------	-------

Bs	14.6 mm
----	---------

dn	4 mm
----	------

G1	M10-M
----	-------

H	26 mm
---	-------

LG1	10 mm
-----	-------

Lmax(S)	52 mm
---------	-------

Ls	48.6 mm
----	---------

SW1	16 mm
-----	-------

Z	3 mm
---	------

#### Contact to Schmalz

J. Schmalz GmbH | Johannes-Schmalz-Straße, 72293 Glatten, Deutschland | +49 7443 2403-102 | [customercenter@schmalz.de](mailto:customercenter@schmalz.de)

## Technical Data

Attribute	Value
Suction force	31 N
Lateral force	24 N
Lateral force (oily surface)	12 N
Volume	2.27 cm <sup>3</sup>
Curve radius (min) (convex)	7.5 mm
Internal hose diameter (recom.)	4 mm
Dimensions (LxB)	50 x 16 mm
Number of folds	0
Suction cup material	Nitrile rubber NBR
Material hardness	45 °Sh
Weight	37 g
Product family	SAOF

### Note:

- Suction force: The specified suction forces are theoretical values at a vacuum of -0.6 bar and with a smooth, dry workpiece surface - they do not include a safety factor
  - Lateral force: The specified lateral forces are values measured at a vacuum of -0.6 bar with a dry or oily, smooth, flat workpiece surface. Depending on the workpiece surface and its quality, the actual values may deviate from these values
  - Hose diameter: The recommended hose diameter refers to a hose length of approx. 2 m
- 
-