

Flat suction cup (oval)

SAOF 50x16 NBR-45 G1/4-AG

<https://www.schmalz.com/10.01.05.00550>



Part no.: 10.01.05.00550

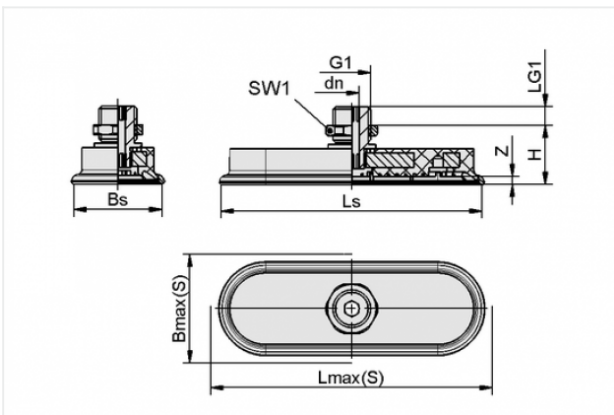
Homepage > Vacuum Technology for Automation > Vacuum Components > Vacuum Suction Cups > Flat Suction Cups (Oval) > Flat Suction Cups SAOF (Oval) > SAOF 50x16 NBR-45 G1/4-AG

Flat suction cup (oval) for very dynamic handling of smooth and oily workpieces



Dimensions (LxB): 50 x 16 mm
 Suction cup material:
 Nitrile rubber NBR
 Material hardness: 45 °Sh
 Nipple material: Aluminium
 Vacuum connection: G1/4-M

Design Data



Attribute	Value
Bmax(S)	18 mm
Bs	14.6 mm
dn	5 mm
G1	G1/4"-M
H	26 mm
LG1	8 mm
Lmax(S)	52 mm
Ls	48.6 mm
SW1	17 mm
Z	3 mm

Contact to Schmalz

J. Schmalz GmbH | Johannes-Schmalz-Straße, 72293 Glatten, Deutschland | +49 7443 2403-102 | customercenter@schmalz.de

Technical Data

Attribute	Value
Suction force	31 N
Lateral force	24 N
Lateral force (oily surface)	12 N
Volume	2.27 cm ³
Curve radius (min) (convex)	7.5 mm
Internal hose diameter (recom.)	4 mm
Dimensions (LxB)	50 x 16 mm
Number of folds	0
Suction cup material	Nitrile rubber NBR
Material hardness	45 °Sh
Weight	24.9 g
Product family	SAOF

Note:

- Suction force: The specified suction forces are theoretical values at a vacuum of -0.6 bar and with a smooth, dry workpiece surface - they do not include a safety factor
- Lateral force: The specified lateral forces are values measured at a vacuum of -0.6 bar with a dry or oily, smooth, flat workpiece surface. Depending on the workpiece surface and its quality, the actual values may deviate from these values
- Hose diameter: The recommended hose diameter refers to a hose length of approx. 2 m