

# Suction plate (oval)

## SPLO 370x80 NBR-55

Part no.: 10.01.05.00006

<https://www.schmalz.com/10.01.05.00006>



Homepage > Vacuum Technology for Automation > Vacuum Components > Vacuum Suction Cups > Flat Suction Cups (Oval) > Suction Plates

SPLO > SPLO 370x80 NBR-55

### Flat suction cup (oval) for narrow or curved workpieces



Dimensions (LxB): 370 x 80 mm

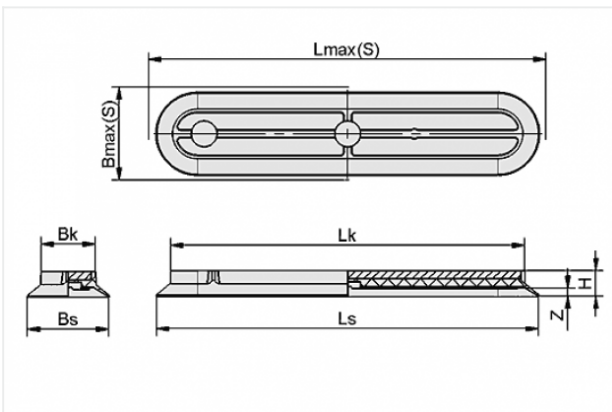
Suction cup material:

Nitrile rubber NBR

Material hardness: 55 °Sh

Suction cup area: 212 cm<sup>2</sup>

### Design Data



Attribute	Value
-----------	-------

B3	45 mm
----	-------

Bk	53 mm
----	-------

Bmax(S)	86 mm
---------	-------

Bs	79.4 mm
----	---------

H	25 mm
---	-------

L3	338 mm
----	--------

Lk	344.9 mm
----	----------

Lmax(S)	376 mm
---------	--------

Ls	372.4 mm
----	----------

Z	7.5 mm
---	--------

### Contact to Schmalz

J. Schmalz GmbH | Johannes-Schmalz-Straße, 72293 Glatten, Deutschland | +49 7443 2403-102 | [customercenter@schmalz.de](mailto:customercenter@schmalz.de)

## Technical Data

Attribute	Value
Suction force	1270 N
Volume	194.236 cm <sup>3</sup>
Curve radius (min) (convex)	100 mm
Number of folds	0
Dimensions (LxB)	370 x 80 mm
Suction cup material	Nitrile rubber NBR
Weight	1200 g
Product family	SPLO

### Note:

- Suction force: The specified suction forces are theoretical values at a vacuum of -0.6 bar and with a smooth, dry workpiece surface - they do not include a safety factor
- 
-