

# Suction plate (oval)

## SPLO 300x100 NBR-55

<https://www.schmalz.com/10.01.05.00050>

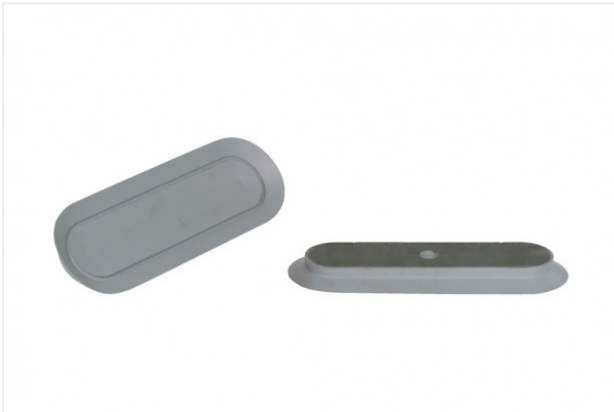


Part no.: 10.01.05.00050

Homepage > Vacuum Technology for Automation > Vacuum Components > Vacuum Suction Cups > Flat Suction Cups (Oval) > Suction Plates

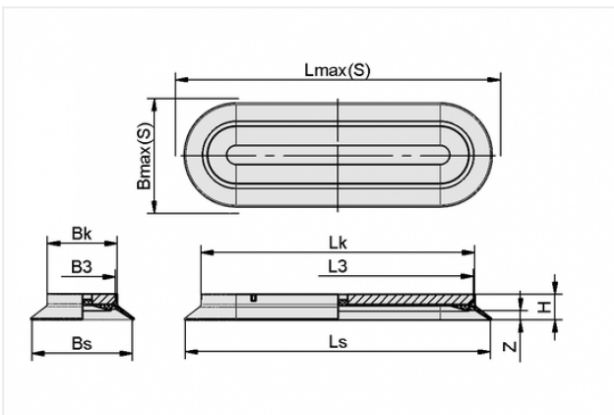
SPLO > SPLO 300x100 NBR-55

### Flat suction cup (oval) for narrow or curved workpieces



Dimensions (LxB): 300 x 100 mm  
 Suction cup material:  
 Nitrile rubber NBR  
 Material hardness: 55 °Sh  
 Suction cup area: 208.3 cm<sup>2</sup>

### Design Data



Attribute	Value
B3	65 mm
Bk	67.7 mm
Bmax(S)	108 mm
Bs	98.8 mm
H	25 mm
L3	264 mm
Lk	266.7 mm
Lmax(S)	308 mm
Ls	297.8 mm
Z	8.8 mm

### Contact to Schmalz

J. Schmalz GmbH | Johannes-Schmalz-Straße, 72293 Glatten, Deutschland | +49 7443 2403-102 | [customercenter@schmalz.de](mailto:customercenter@schmalz.de)

## Technical Data

Attribute	Value
Suction force	1250 N
Volume	256.392 cm <sup>3</sup>
Curve radius (min) (convex)	175 mm
Number of folds	0
Dimensions (LxB)	300 x 100 mm
Suction cup material	Nitrile rubber NBR
Weight	1275 g
Product family	SPL0

### Note:

- Suction force: The specified suction forces are theoretical values at a vacuum of -0.6 bar and with a smooth, dry workpiece surface - they do not include a safety factor
- 
-