

Suction plate (oval)

SPLO 200x55 NBR-55

Part no.: 10.01.05.00004

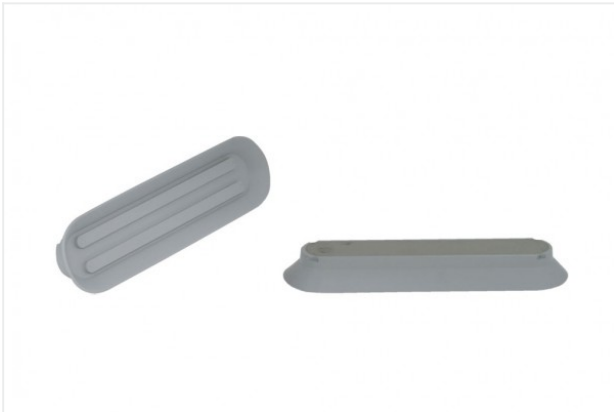
<https://www.schmalz.com/10.01.05.00004>



Homepage > Vacuum Technology for Automation > Vacuum Components > Vacuum Suction Cups > Flat Suction Cups (Oval) > Suction Plates

SPLO > SPLO 200x55 NBR-55

Flat suction cup (oval) for narrow or curved workpieces



Dimensions (LxB): 200 x 55 mm

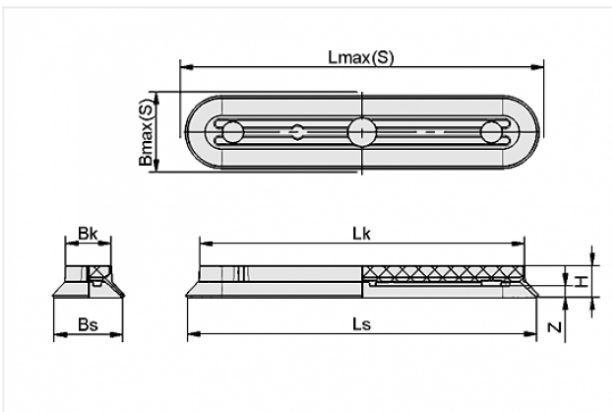
Suction cup material:

Nitrile rubber NBR

Material hardness: 55 °Sh

Suction cup area: 77.5 cm²

Design Data



Attribute	Value
-----------	-------

B3	26 mm
----	-------

Bk	31 mm
----	-------

Bmax(S)	62 mm
---------	-------

Bs	50.7 mm
----	---------

H	22 mm
---	-------

L3	171 mm
----	--------

Lk	178 mm
----	--------

Lmax(S)	208 mm
---------	--------

Ls	197.7 mm
----	----------

Z	8.3 mm
---	--------

Contact to Schmalz

J. Schmalz GmbH | Johannes-Schmalz-Straße, 72293 Glatten, Deutschland | +49 7443 2403-102 | customercenter@schmalz.de

Technical Data

Attribute	Value
Suction force	465 N
Volume	80 cm ³
Curve radius (min) (convex)	50 mm
Number of folds	0
Dimensions (LxB)	200 x 55 mm
Suction cup material	Nitrile rubber NBR
Weight	320 g
Product family	SPLO

Note:

- Suction force: The specified suction forces are theoretical values at a vacuum of -0.6 bar and with a smooth, dry workpiece surface - they do not include a safety factor
-
-