

# Suction plate (oval)

## SPLO 200x30 NBR-55

Part no.: 10.01.05.00183

<https://www.schmalz.com/10.01.05.00183>



Homepage > Vacuum Technology for Automation > Vacuum Components > Vacuum Suction Cups > Flat Suction Cups (Oval) > Suction Plates

SPLO > SPLO 200x30 NBR-55

### Flat suction cup (oval) for narrow or curved workpieces



Dimensions (LxB): 200 x 30 mm

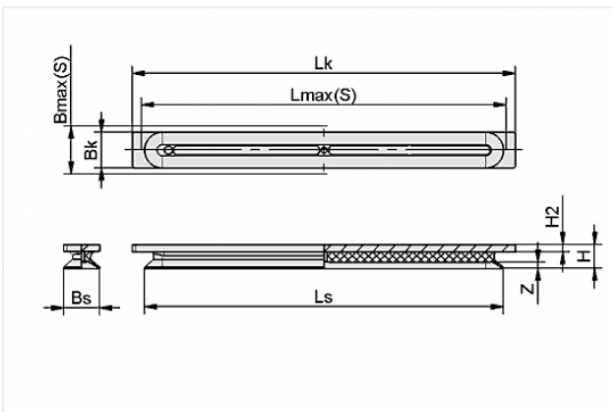
Suction cup material:

Nitrile rubber NBR

Material hardness: 55 °Sh

Suction cup area: 43 cm<sup>2</sup>

### Design Data



Attribute	Value
-----------	-------

Bk	30 mm
----	-------

Bmax(S)	32 mm
---------	-------

Bs	29.2 mm
----	---------

H	20.6 mm
---	---------

H2	6 mm
----	------

Lk	220 mm
----	--------

Lmax(S)	203 mm
---------	--------

Ls	200 mm
----	--------

Z	5.3 mm
---	--------

### Contact to Schmalz

J. Schmalz GmbH | Johannes-Schmalz-Straße, 72293 Glatten, Deutschland | +49 7443 2403-102 | [customercenter@schmalz.de](mailto:customercenter@schmalz.de)

## Technical Data

Attribute	Value
Suction force	260 N
Volume	24.393 cm <sup>3</sup>
Curve radius (min) (convex)	30 mm
Number of folds	0
Dimensions (LxB)	200 x 30 mm
Suction cup material	Nitrile rubber NBR
Weight	400 g
Product family	SPLO

### Note:

- Suction force: The specified suction forces are theoretical values at a vacuum of -0.6 bar and with a smooth, dry workpiece surface - they do not include a safety factor
- 
-