

# Suction plate (oval)

## SPLO 100x30 NBR-55

Part no.: 10.01.05.00182

<https://www.schmalz.com/10.01.05.00182>



Homepage > Vacuum Technology for Automation > Vacuum Components > Vacuum Suction Cups > Flat Suction Cups (Oval) > Suction Plates

SPLO > SPLO 100x30 NBR-55

### Flat suction cup (oval) for narrow or curved workpieces



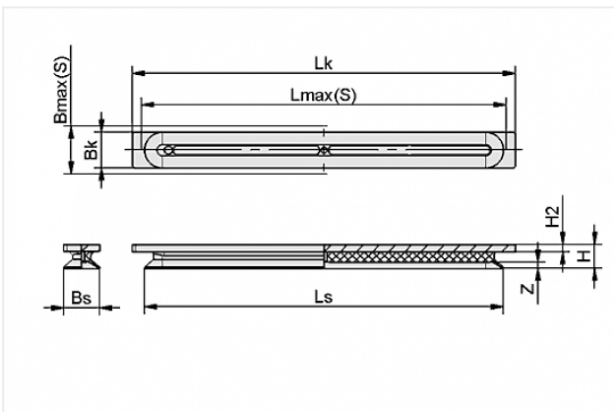
Dimensions (LxB): 100 x 30 mm

Suction cup material:

Nitrile rubber NBR

Material hardness: 55 °Sh

### Design Data



Attribute	Value
-----------	-------

Bk	30 mm
----	-------

Bmax(S)	33.5 mm
---------	---------

Bs	28.7 mm
----	---------

H	21 mm
---	-------

H2	6 mm
----	------

Lk	120 mm
----	--------

Lmax(S)	120 mm
---------	--------

Ls	98 mm
----	-------

Z	5 mm
---	------

### Contact to Schmalz

J. Schmalz GmbH | Johannes-Schmalz-Straße, 72293 Glatten, Deutschland | +49 7443 2403-102 | [customercenter@schmalz.de](mailto:customercenter@schmalz.de)

## Technical Data

Attribute	Value
Suction force	126 N
Volume	10.015 cm <sup>3</sup>
Curve radius (min) (convex)	25 mm
Number of folds	0
Dimensions (LxB)	100 x 30 mm
Suction cup material	Nitrile rubber NBR
Weight	200 g
Product family	SPLO

### Note:

- Suction force: The specified suction forces are theoretical values at a vacuum of -0.6 bar and with a smooth, dry workpiece surface - they do not include a safety factor
- 
-