

Suction plate (oval)

SPLO 100x32 NBR-55 TV

<https://www.schmalz.com/10.01.05.00003>



Part no.: 10.01.05.00003

Homepage > Vacuum Technology for Automation > Vacuum Components > Vacuum Suction Cups > Flat Suction Cups (Oval) > Suction Plates

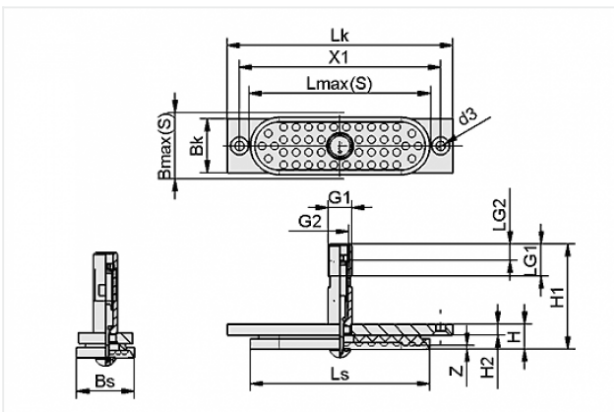
SPLO > SPLO 100x32 NBR-55 TV

Flat suction cup (oval) for narrow or curved workpieces



Dimensions (LxB): 100 x 32 mm
 Suction cup material:
 Nitrile rubber NBR
 Material hardness: 55 °Sh
 Additional feature: Sensing valve

Design Data



Attribute	Value
-----------	-------

Bk	30 mm
----	-------

Bmax(S)	34 mm
---------	-------

Bs	32 mm
----	-------

d3	5.3 mm
----	--------

G1	G1/4"-M
----	---------

G2	G1/8"-F
----	---------

H	14 mm
---	-------

H1	54 mm
----	-------

H2	6 mm
----	------

LG1	18 mm
-----	-------

LG2	9 mm
-----	------

Lk	125.8 mm
----	----------

Lmax(S)	125.8 mm
---------	----------

Contact to Schmalz

J. Schmalz GmbH | Johannes-Schmalz-Straße, 72293 Glatten, Deutschland | +49 7443 2403-102 | customercenter@schmalz.de

Attribute	Value
Ls	100 mm
X1	112 mm
Z	2 mm

Technical Data

Attribute	Value
Suction force	134 N
Volume	10.734 cm ³
Curve radius (min) (convex)	50 mm
Number of folds	0
Dimensions (LxB)	100 x 32 mm
Suction cup material	Nitrile rubber NBR
Weight	200 g
Product family	SPLO

Note:

- Suction force: The specified suction forces are theoretical values at a vacuum of -0.6 bar and with a smooth, dry workpiece surface - they do not include a safety factor