

Suction plate (oval)

SPLO 100x32 NBR-55 G1/4-IG

<https://www.schmalz.com/10.01.05.00002>



Part no.: 10.01.05.00002

Homepage > Vacuum Technology for Automation > Vacuum Components > Vacuum Suction Cups > Flat Suction Cups (Oval) > Suction Plates

SPLO > SPLO 100x32 NBR-55 G1/4-IG

Flat suction cup (oval) for narrow or curved workpieces



Dimensions (LxB): 100 x 32 mm

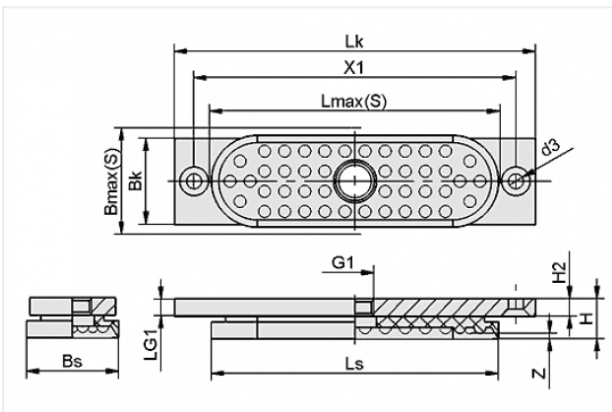
Suction cup material:

Nitrile rubber NBR

Material hardness: 55 °Sh

Vacuum connection: G1/4-F

Design Data



Attribute	Value
Bk	30 mm
Bmax(S)	34 mm
Bs	32 mm
d3	5.3 mm
G1	G1/4"-F
H	14 mm
H2	6 mm
LG1	6 mm
Lk	125.8 mm
Lmax(S)	125.8 mm
Ls	100 mm
X1	112 mm
Z	2 mm

Contact to Schmalz

J. Schmalz GmbH | Johannes-Schmalz-Straße, 72293 Glatten, Deutschland | +49 7443 2403-102 | customercenter@schmalz.de

Technical Data

Attribute	Value
Suction force	134 N
Volume	10.734 cm ³
Curve radius (min) (convex)	50 mm
Number of folds	0
Dimensions (LxB)	100 x 32 mm
Suction cup material	Nitrile rubber NBR
Weight	180 g
Product family	SPLO

Note:

- Suction force: The specified suction forces are theoretical values at a vacuum of -0.6 bar and with a smooth, dry workpiece surface - they do not include a safety factor
-
-