

Flat suction cup (oval) SGON 90x30 SI-70 G1/4-AG

<https://www.schmalz.com/10.01.05.00108>



Part no.: 10.01.05.00108

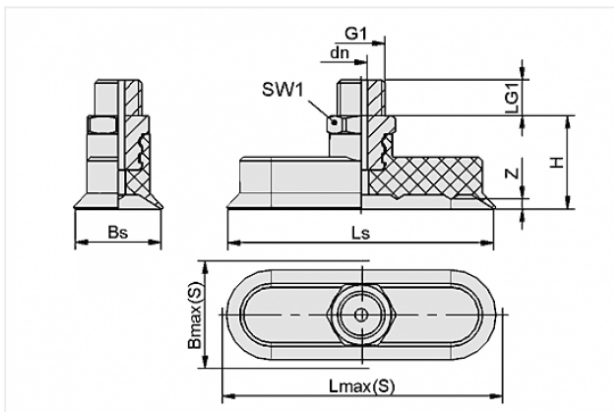
Homepage > Vacuum Technology for Automation > Vacuum Components > Vacuum Suction Cups > Flat Suction Cups (Oval) > Flat Suction Cups
SGON > SGON 90x30 SI-70 G1/4-AG

Flat suction cup (oval) for long and also curved workpieces



Dimensions (LxB): 90 x 30 mm
Suction cup material: Silicone SI
Material hardness: 70 °Sh
Nipple material: Aluminium
Vacuum connection: G1/4"-M

Design Data



Attribute	Value
-----------	-------

Bmax(S)	33 mm
---------	-------

Bs	30 mm
----	-------

dn	3.5 mm
----	--------

G1	G1/4"-M
----	---------

H	26 mm
---	-------

LG1	10 mm
-----	-------

Lmax(S)	92.5 mm
---------	---------

Ls	90 mm
----	-------

SW1	17 mm
-----	-------

Z	3.5 mm
---	--------

Contact to Schmalz

J. Schmalz GmbH | Johannes-Schmalz-Straße, 72293 Glatten, Deutschland | +49 7443 2403-102 |
customercenter@schmalz.de

Technical Data

Attribute	Value
Suction force	112.6 N
Volume	9.473 cm ³
Curve radius (min) (convex)	35 mm
Internal hose diameter (recom.)	6 mm
Dimensions (LxB)	90 x 30 mm
Number of folds	0
Suction cup material	Silicone SI
Material hardness	70 °Sh
Weight	34.8 g
Product family	SGON

Note:

- Suction force: The specified suction forces are theoretical values at a vacuum of -0.6 bar and with a smooth, dry workpiece surface - they do not include a safety factor
- Hose diameter: The recommended hose diameter refers to a hose length of approx. 2 m

Spare Parts



SA-NIP N023 G1/4-AG DN350

Part no. 10.01.05.00122

Suction cup connection nipple

Nipple: N 023

Thread G1: G1/4-M

Overall length: 25 mm

Fitting length: 5 mm

Nominal size: 3,50 mm

Material: Aluminium

Spanner size SW2: 5 mm



SGO 90x30 SI-70 N023

Part no. 10.01.05.00162

Flat suction cup (oval) for narrow or curved workpieces

Dimensions (LxB): 90 x 30 mm

Suction cup material: Silicone SI

Material hardness: 70 °Sh



ZOKL 15-18

Part no. 10.07.10.00033

Two-ear clamp

Clamping range: 15.0 ... 18.0 mm

Material: Steel galvanised