

# Flat suction cup (oval)

<https://www.schmalz.com/10.01.05.00161>



## SGO 75x25 SI-60 N023

Part no.: 10.01.05.00161

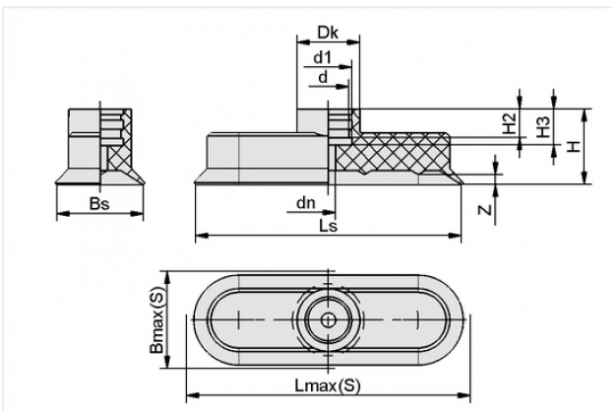
Homepage > Vacuum Technology for Automation > Vacuum Components > Vacuum Suction Cups > Flat Suction Cups (Oval) > SGO 75x25 SI-60 N023

### Flat suction cup (oval) for narrow or curved workpieces



Dimensions (LxB): 75 x 25 mm  
Suction cup material: Silicone SI  
Material hardness: 60 °Sh  
Material characteristics:  
FDA-compatible

### Design Data



Attribute	Value
-----------	-------

Bmax(S)	27.5 mm
---------	---------

Bs	24 mm
----	-------

d	11.5 mm
---	---------

d1	13 mm
----	-------

dn	4 mm
----	------

Dk	17.5 mm
----	---------

Lmax(S)	77 mm
---------	-------

Ls	74 mm
----	-------

H	21 mm
---	-------

H2	8 mm
----	------

H3	10 mm
----	-------

Z	2.8 mm
---	--------

### Contact to Schmalz

J. Schmalz GmbH | Johannes-Schmalz-Straße, 72293 Glatten, Deutschland | +49 7443 2403-102 | [customercenter@schmalz.de](mailto:customercenter@schmalz.de)

## Technical Data

Attribute	Value
Suction force	78.3 N
Dimensions (LxB)	75 x 25 mm
Suction cup material	Silicone SI
Material hardness	60 °Sh
Weight	17.9 g
Product family	SGO

## Accessories



### SA-NIP N023 G1/4-IG DN350

Part no. 10.01.05.00121

Suction cup connection nipple

Nipple: N 023

Thread G1: G1/4-F

Overall length: 25 mm

Fitting length: 15 mm

Nominal size: 3,50 mm

Material: Aluminium

Spanner size SW2: 5 mm



### SA-NIP N023 G1/4-AG DN350

Part no. 10.01.05.00122

Suction cup connection nipple

Nipple: N 023

Thread G1: G1/4-M

Overall length: 25 mm

Fitting length: 5 mm

Nominal size: 3,50 mm

Material: Aluminium

Spanner size SW2: 5 mm

## Contact to Schmalz