

# Flat suction cup (oval)

## SGO 75x25 NBR-60 N023

<https://www.schmalz.com/10.01.05.00155>



Part no.: 10.01.05.00155

Homepage > Vacuum Technology for Automation > Vacuum Components > Vacuum Suction Cups > Flat Suction Cups (Oval) > SGO 75x25 NBR-60 N023

### Flat suction cup (oval) for narrow or curved workpieces



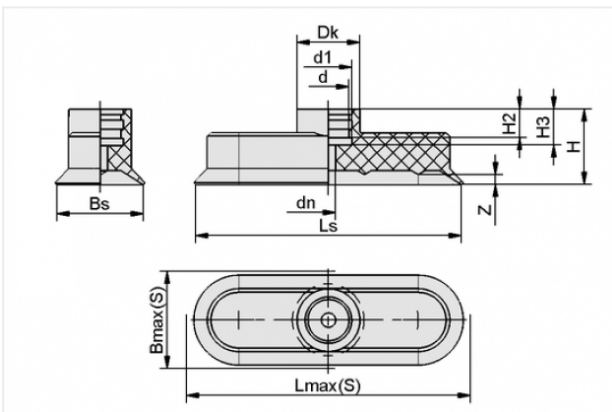
Dimensions (LxB): 75 x 25 mm

Suction cup material:

Nitrile rubber NBR

Material hardness: 60 °Sh

### Design Data



Attribute	Value
Bmax(S)	27.5 mm
Bs	24 mm
d	11.5 mm
d1	13 mm
dn	4 mm
Dk	17.5 mm
Lmax(S)	77 mm
Ls	74 mm
H	21 mm
H2	8 mm
H3	10 mm
Z	2.8 mm

### Contact to Schmalz

J. Schmalz GmbH | Johannes-Schmalz-Straße, 72293 Glatten, Deutschland | +49 7443 2403-102 | [customercenter@schmalz.de](mailto:customercenter@schmalz.de)

## Technical Data

Attribute	Value
Suction force	78.3 N
Dimensions (LxB)	75 x 25 mm
Suction cup material	Nitrile rubber NBR
Material hardness	60 °Sh
Weight	19 g
Product family	SGO

## Accessories



### SA-NIP N023 G1/4-IG DN350

Part no. 10.01.05.00121  
 Suction cup connection nipple  
 Nipple: N 023  
 Thread G1: G1/4-F  
 Overall length: 25 mm  
 Fitting length: 15 mm  
 Nominal size: 3,50 mm  
 Material: Aluminium  
 Spanner size SW2: 5 mm



### SA-NIP N023 G1/4-AG DN350

Part no. 10.01.05.00122  
 Suction cup connection nipple  
 Nipple: N 023  
 Thread G1: G1/4-M  
 Overall length: 25 mm  
 Fitting length: 5 mm  
 Nominal size: 3,50 mm  
 Material: Aluminium  
 Spanner size SW2: 5 mm