

Flat suction cup (oval)

SGON 60x20 SI-60 G1/4-IG

<https://www.schmalz.com/10.01.05.00111>



Part no.: 10.01.05.00111

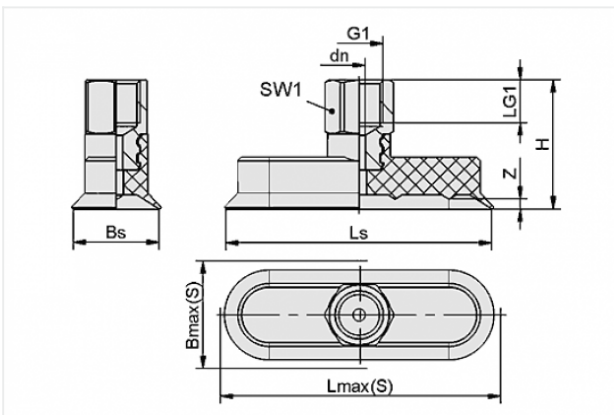
Homepage > Vacuum Technology for Automation > Vacuum Components > Vacuum Suction Cups > Flat Suction Cups (Oval) > Flat Suction Cups SGON > SGON 60x20 SI-60 G1/4-IG

Flat suction cup (oval) for long and also curved workpieces



Dimensions (LxB): 60 x 20 mm
 Suction cup material: Silicone SI
 Material hardness: 60 °Sh
 Material characteristics:
 FDA-compatible
 Nipple material: Aluminium
 Vacuum connection: G1/4"-F

Design Data



Attribute	Value
Bmax(S)	22 mm
Bs	20 mm
dn	3.5 mm
G1	G1/4"-F
H	36 mm
LG1	12 mm
Lmax(S)	61 mm
Ls	60 mm
SW1	17 mm
Z	2.5 mm

Contact to Schmalz

J. Schmalz GmbH | Johannes-Schmalz-Straße, 72293 Glatten, Deutschland | +49 7443 2403-102 | customercenter@schmalz.de

Technical Data

Attribute	Value
Suction force	50.1 N
Volume	3.611 cm ³
Curve radius (min) (convex)	20 mm
Internal hose diameter (recom.)	6 mm
Dimensions (LxB)	60 x 20 mm
Number of folds	0
Suction cup material	Silicone SI
Material hardness	60 °Sh
Weight	18.5 g
Product family	SGON

Note:

- Suction force: The specified suction forces are theoretical values at a vacuum of -0.6 bar and with a smooth, dry workpiece surface - they do not include a safety factor
- Hose diameter: The recommended hose diameter refers to a hose length of approx. 2 m

Spare Parts



SA-NIP N023 G1/4-IG DN350

Part no. 10.01.05.00121

Suction cup connection nipple

Nipple: N 023

Thread G1: G1/4-F

Overall length: 25 mm

Fitting length: 15 mm

Nominal size: 3,50 mm

Material: Aluminium

Spanner size SW2: 5 mm

Contact to Schmalz



SGO 60x20 SI-60 N023

Part no. 10.01.05.00160

Flat suction cup (oval) for narrow or curved workpieces

Dimensions (LxB): 60 x 20 mm

Suction cup material: Silicone SI

Material hardness: 60 °Sh

Material characteristics:

FDA-compatible



ZOKL 15-18

Part no. 10.07.10.00033

Two-ear clamp

Clamping range: 15.0 ... 18.0 mm

Material: Steel galvanised