

Flat suction cup (oval)

SGO 60x20 NBR-60 N023

<https://www.schmalz.com/10.01.05.00154>



Part no.: 10.01.05.00154

Homepage > Vacuum Technology for Automation > Vacuum Components > Vacuum Suction Cups > Flat Suction Cups (Oval) > SGO 60x20 NBR-60 N023

Flat suction cup (oval) for narrow or curved workpieces



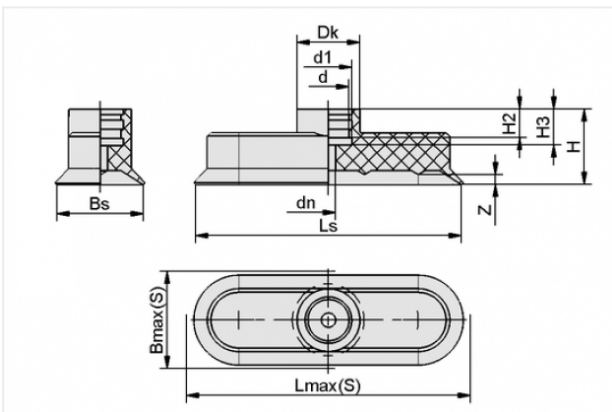
Dimensions (LxB): 60 x 20 mm

Suction cup material:

Nitrile rubber NBR

Material hardness: 60 °Sh

Design Data



Attribute	Value
Bmax(S)	22 mm
Bs	19 mm
d	11.5 mm
d1	13 mm
dn	4 mm
Dk	15.5 mm
Lmax(S)	61 mm
Ls	59 mm
H	21 mm
H2	8 mm
H3	10 mm
Z	2.5 mm

Contact to Schmalz

J. Schmalz GmbH | Johannes-Schmalz-Straße, 72293 Glatten, Deutschland | +49 7443 2403-102 | customercenter@schmalz.de

Technical Data

Attribute	Value
Suction force	50.1 N
Dimensions (LxB)	60 x 20 mm
Suction cup material	Nitrile rubber NBR
Material hardness	60 °Sh
Weight	9.7 g
Product family	SGO

Accessories



SA-NIP N023 G1/4-IG DN350

Part no. 10.01.05.00121

Suction cup connection nipple

Nipple: N 023

Thread G1: G1/4-F

Overall length: 25 mm

Fitting length: 15 mm

Nominal size: 3,50 mm

Material: Aluminium

Spanner size SW2: 5 mm



SA-NIP N023 G1/4-AG DN350

Part no. 10.01.05.00122

Suction cup connection nipple

Nipple: N 023

Thread G1: G1/4-M

Overall length: 25 mm

Fitting length: 5 mm

Nominal size: 3,50 mm

Material: Aluminium

Spanner size SW2: 5 mm

Contact to Schmalz