

# Flat suction cup (oval)

## SGON 60x20 NBR-60 G1/4-AG

<https://www.schmalz.com/10.01.05.00096>



Part no.: 10.01.05.00096

Homepage > Vacuum Technology for Automation > Vacuum Components > Vacuum Suction Cups > Flat Suction Cups (Oval) > Flat Suction Cups SGON > SGON 60x20 NBR-60 G1/4-AG

## Flat suction cup (oval) for long and also curved workpieces



Dimensions (LxB): 60 x 20 mm

Suction cup material:

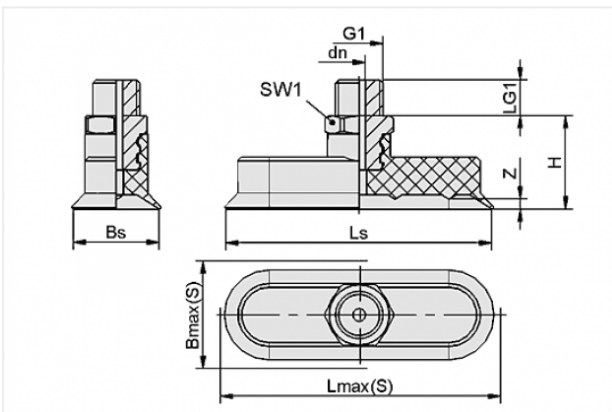
Nitrile rubber NBR

Material hardness: 60 °Sh

Nipple material: Aluminium

Vacuum connection: G1/4"-M

## Design Data



Attribute	Value
Bmax(S)	22 mm
Bs	19 mm
dn	3.5 mm
G1	G1/4"-M
H	26 mm
LG1	10 mm
Lmax(S)	61 mm
Ls	59 mm
SW1	17 mm
Z	2.5 mm

## Contact to Schmalz

J. Schmalz GmbH | Johannes-Schmalz-Straße, 72293 Glatten, Deutschland | +49 7443 2403-102 | [customercenter@schmalz.de](mailto:customercenter@schmalz.de)

## Technical Data

Attribute	Value
Suction force	50.1 N
Volume	3.611 cm <sup>3</sup>
Curve radius (min) (convex)	20 mm
Internal hose diameter (recom.)	6 mm
Dimensions (LxB)	60 x 20 mm
Number of folds	0
Suction cup material	Nitrile rubber NBR
Material hardness	60 °Sh
Weight	19 g
Product family	SGON

### Note:

- Suction force: The specified suction forces are theoretical values at a vacuum of -0.6 bar and with a smooth, dry workpiece surface - they do not include a safety factor
- Hose diameter: The recommended hose diameter refers to a hose length of approx. 2 m

## Spare Parts



### SA-NIP N023 G1/4-AG DN350

Part no. 10.01.05.00122

Suction cup connection nipple

Nipple: N 023

Thread G1: G1/4-M

Overall length: 25 mm

Fitting length: 5 mm

Nominal size: 3,50 mm

Material: Aluminium

Spanner size SW2: 5 mm

### Contact to Schmalz



**SGO 60x20 NBR-60 N023**

Part no. 10.01.05.00154

Flat suction cup (oval) for narrow or curved workpieces

Dimensions (LxB): 60 x 20 mm

Suction cup material:

Nitrile rubber NBR

Material hardness: 60 °Sh



**ZOKL 15-18**

Part no. 10.07.10.00033

Two-ear clamp

Clamping range: 15.0 ... 18.0 mm

Material: Steel galvanised