

# Flat suction cup (oval)

## SGO 45x15 HT1-60 N023

<https://www.schmalz.com/10.01.05.00439>



Part no.: 10.01.05.00439

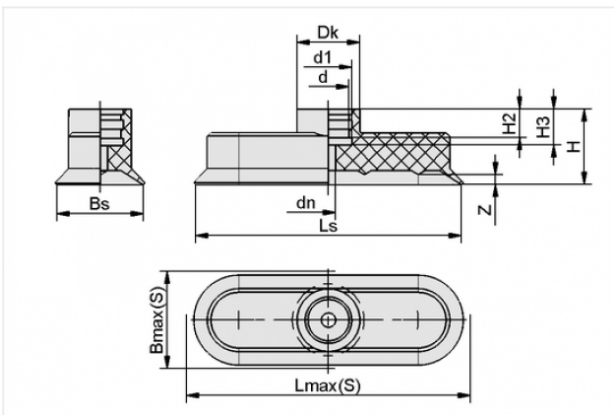
Homepage > Vacuum Technology for Automation > Vacuum Components > Vacuum Suction Cups > Flat Suction Cups (Oval) > SGO 45x15 HT1-60 N023

### Flat suction cup (oval) for narrow or curved workpieces



Dimensions (LxB): 45 x 15 mm  
 Suction cup material:  
 High temp material HT1  
 Material hardness: 60 °Sh  
 Material property: imprint-free

### Design Data



| Attribute | Value   |
|-----------|---------|
| Bmax(S)   | 16.5 mm |
| Bs        | 14.4 mm |
| d         | 11.5 mm |
| d1        | 13 mm   |
| dn        | 3 mm    |
| Dk        | 15.5 mm |
| Lmax(S)   | 46 mm   |
| Ls        | 44.4 mm |
| H         | 21 mm   |
| H2        | 8 mm    |
| H3        | 10 mm   |
| Z         | 2 mm    |

### Contact to Schmalz

J. Schmalz GmbH | Johannes-Schmalz-Straße, 72293 Glatten, Deutschland | +49 7443 2403-102 | [customercenter@schmalz.de](mailto:customercenter@schmalz.de)

## Technical Data

| Attribute            | Value                  |
|----------------------|------------------------|
| Suction force        | 28.2 N                 |
| Dimensions (LxB)     | 45 x 15 mm             |
| Suction cup material | High temp material HT1 |
| Material hardness    | 60 °Sh                 |
| Weight               | 3.4 g                  |
| Product family       | SGO                    |

## Accessories



### SA-NIP N023 G1/4-IG DN350

Part no. 10.01.05.00121

Suction cup connection nipple

Nipple: N 023

Thread G1: G1/4-F

Overall length: 25 mm

Fitting length: 15 mm

Nominal size: 3,50 mm

Material: Aluminium

Spanner size SW2: 5 mm



### SA-NIP N023 G1/4-AG DN350

Part no. 10.01.05.00122

Suction cup connection nipple

Nipple: N 023

Thread G1: G1/4-M

Overall length: 25 mm

Fitting length: 5 mm

Nominal size: 3,50 mm

Material: Aluminium

Spanner size SW2: 5 mm

## Contact to Schmalz