

Flat suction cup (oval)

<https://www.schmalz.com/10.01.05.00158>



SGO 30x10 SI-60 N022

Part no.: 10.01.05.00158

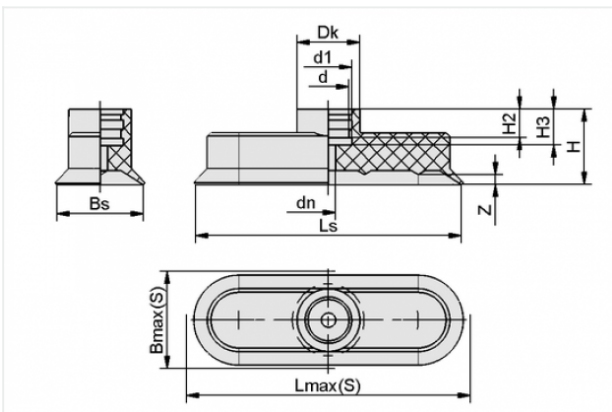
Homepage > Vacuum Technology for Automation > Vacuum Components > Vacuum Suction Cups > Flat Suction Cups (Oval) > SGO 30x10 SI-60 N022

Flat suction cup (oval) for narrow or curved workpieces



Dimensions (LxB): 30 x 10 mm
Suction cup material: Silicone SI
Material hardness: 60 °Sh
Material characteristics:
FDA-compatible

Design Data



| Attribute | Value |
|-----------|-------|
|-----------|-------|

| | |
|---------|---------|
| Bmax(S) | 11.5 mm |
|---------|---------|

| | |
|----|--------|
| Bs | 9.4 mm |
|----|--------|

| | |
|---|--------|
| d | 5.5 mm |
|---|--------|

| | |
|----|------|
| d1 | 7 mm |
|----|------|

| | |
|----|--------|
| dn | 2.5 mm |
|----|--------|

| | |
|----|---------|
| Dk | 11.5 mm |
|----|---------|

| | |
|---------|---------|
| Lmax(S) | 30.5 mm |
|---------|---------|

| | |
|----|---------|
| Ls | 29.4 mm |
|----|---------|

| | |
|---|-------|
| H | 12 mm |
|---|-------|

| | |
|----|------|
| H2 | 3 mm |
|----|------|

| | |
|----|--------|
| H3 | 5.5 mm |
|----|--------|

| | |
|---|--------|
| Z | 1.5 mm |
|---|--------|

Contact to Schmalz

J. Schmalz GmbH | Johannes-Schmalz-Straße, 72293 Glatten, Deutschland | +49 7443 2403-102 | customercenter@schmalz.de

Technical Data

| Attribute | Value |
|----------------------|-------------|
| Suction force | 12.2 N |
| Dimensions (LxB) | 30 x 10 mm |
| Suction cup material | Silicone SI |
| Material hardness | 60 °Sh |
| Weight | 2.8 g |
| Product family | SGO |

Accessories



SA-NIP N022 G1/8-IG DN350

Part no. 10.01.05.00123

Suction cup connection nipple

Nipple: N 022

Thread G1: G1/8-F

Overall length: 18.5 mm

Fitting length: 13 mm

Nominal size: 3,50 mm

Material: Aluminium



SA-NIP N022 G1/8-AG DN350

Part no. 10.01.05.00124

Suction cup connection nipple

Nipple: N 022

Thread G1: G1/8-M

Overall length: 18.5 mm

Fitting length: 5 mm

Nominal size: 3,50 mm

Material: Aluminium

Contact to Schmalz