

Flat suction cup (oval)

SGON 30x10 NBR-60 G1/8-IG

<https://www.schmalz.com/10.01.05.00099>



Part no.: 10.01.05.00099

Homepage > Vacuum Technology for Automation > Vacuum Components > Vacuum Suction Cups > Flat Suction Cups (Oval) > Flat Suction Cups SGON > SGON 30x10 NBR-60 G1/8-IG

Flat suction cup (oval) for long and also curved workpieces



Dimensions (LxB): 30 x 10 mm

Suction cup material:

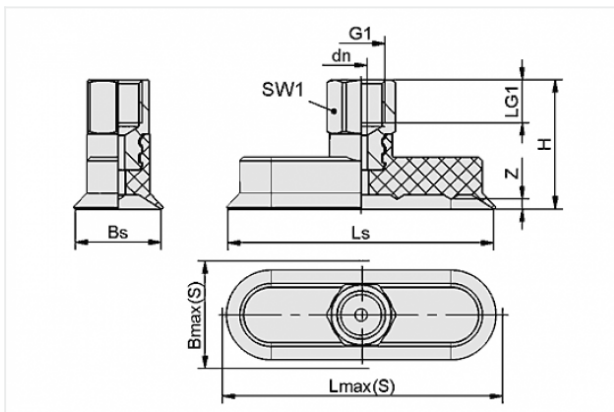
Nitrile rubber NBR

Material hardness: 60 °Sh

Nipple material: Aluminium

Vacuum connection: G1/8"-F

Design Data



Attribute	Value
-----------	-------

Bmax(S)	11.5 mm
---------	---------

Bs	9.4 mm
----	--------

dn	2.5 mm
----	--------

G1	G1/8"-F
----	---------

H	25 mm
---	-------

LG1	9 mm
-----	------

Lmax(S)	30.5 mm
---------	---------

Ls	29.4 mm
----	---------

SW1	14 mm
-----	-------

Z	1.5 mm
---	--------

Contact to Schmalz

J. Schmalz GmbH | Johannes-Schmalz-Straße, 72293 Glatten, Deutschland | +49 7443 2403-102 | customercenter@schmalz.de

Technical Data

Attribute	Value
Suction force	12.2 N
Volume	0.516 cm ³
Curve radius (min) (convex)	7.5 mm
Internal hose diameter (recom.)	4 mm
Dimensions (LxB)	30 x 10 mm
Number of folds	0
Suction cup material	Nitrile rubber NBR
Material hardness	60 °Sh
Weight	7.5 g
Product family	SGON

Note:

- Suction force: The specified suction forces are theoretical values at a vacuum of -0.6 bar and with a smooth, dry workpiece surface - they do not include a safety factor
- Hose diameter: The recommended hose diameter refers to a hose length of approx. 2 m

Spare Parts



SA-NIP N022 G1/8-IG DN350

Part no. 10.01.05.00123

Suction cup connection nipple

Nipple: N 022

Thread G1: G1/8-F

Overall length: 18.5 mm

Fitting length: 13 mm

Nominal size: 3,50 mm

Material: Aluminium

Contact to Schmalz



SGO 30x10 NBR-60 N022

Part no. 10.01.05.00152

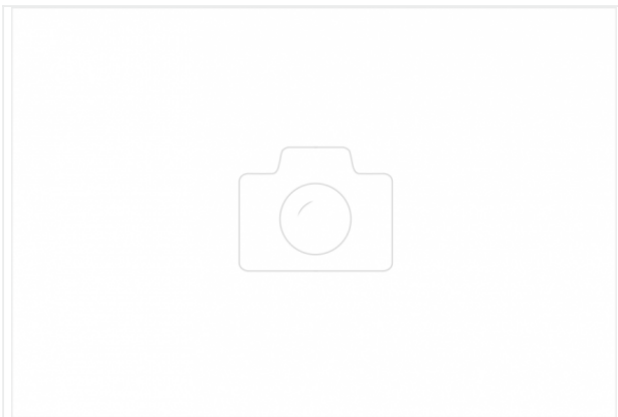
Flat suction cup (oval) for narrow or curved workpieces

Dimensions (LxB): 30 x 10 mm

Suction cup material:

Nitrile rubber NBR

Material hardness: 60 °Sh



ZOKL 11-13

Part no. 10.07.10.00032

Two-ear clamp

Clamping range: 11.0 ... 13.0 mm

Material: Steel galvanised