

# Flat suction cup (oval)

## SGO 30x10 NBR-60 N022

<https://www.schmalz.com/10.01.05.00152>



Part no.: 10.01.05.00152

Homepage > Vacuum Technology for Automation > Vacuum Components > Vacuum Suction Cups > Flat Suction Cups (Oval) > SGO 30x10 NBR-60 N022

### Flat suction cup (oval) for narrow or curved workpieces



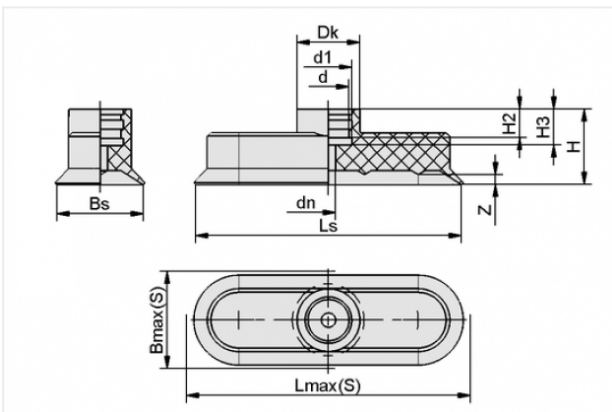
Dimensions (LxB): 30 x 10 mm

Suction cup material:

Nitrile rubber NBR

Material hardness: 60 °Sh

### Design Data



Attribute	Value
Bmax(S)	11.5 mm
Bs	9.4 mm
d	5.5 mm
d1	7 mm
dn	2.5 mm
Dk	11.5 mm
Lmax(S)	30.5 mm
Ls	29.4 mm
H	12 mm
H2	3 mm
H3	5.5 mm
Z	1.5 mm

### Contact to Schmalz

J. Schmalz GmbH | Johannes-Schmalz-Straße, 72293 Glatten, Deutschland | +49 7443 2403-102 | [customercenter@schmalz.de](mailto:customercenter@schmalz.de)

## Technical Data

Attribute	Value
Suction force	12.2 N
Dimensions (LxB)	30 x 10 mm
Suction cup material	Nitrile rubber NBR
Material hardness	60 °Sh
Weight	2.8 g
Product family	SGO

## Accessories



### SA-NIP N022 G1/8-IG DN350

Part no. 10.01.05.00123

Suction cup connection nipple

Nipple: N 022

Thread G1: G1/8-F

Overall length: 18.5 mm

Fitting length: 13 mm

Nominal size: 3,50 mm

Material: Aluminium



### SA-NIP N022 G1/8-AG DN350

Part no. 10.01.05.00124

Suction cup connection nipple

Nipple: N 022

Thread G1: G1/8-M

Overall length: 18.5 mm

Fitting length: 5 mm

Nominal size: 3,50 mm

Material: Aluminium

## Contact to Schmalz