

# Flat suction cup (oval)

<https://www.schmalz.com/10.01.05.00087>



## SGON 24x8 SI-60 G1/8-IG

Part no.: 10.01.05.00087

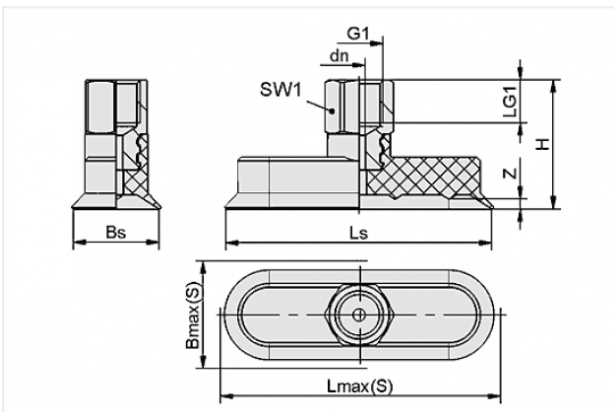
Homepage > Vacuum Technology for Automation > Vacuum Components > Vacuum Suction Cups > Flat Suction Cups (Oval) > Flat Suction Cups SGON > SGON 24x8 SI-60 G1/8-IG

### Flat suction cup (oval) for long and also curved workpieces



Dimensions (LxB): 24 x 8 mm  
Suction cup material: Silicone SI  
Material hardness: 60 °Sh  
Material characteristics:  
FDA-compatible  
Nipple material: Aluminium  
Vacuum connection: G1/8"-F

### Design Data



| Attribute | Value |
|-----------|-------|
|-----------|-------|

|         |      |
|---------|------|
| Bmax(S) | 9 mm |
|---------|------|

|    |      |
|----|------|
| Bs | 8 mm |
|----|------|

|    |        |
|----|--------|
| dn | 1.5 mm |
|----|--------|

|    |         |
|----|---------|
| G1 | G1/8"-F |
|----|---------|

|   |       |
|---|-------|
| H | 25 mm |
|---|-------|

|     |      |
|-----|------|
| LG1 | 9 mm |
|-----|------|

|         |         |
|---------|---------|
| Lmax(S) | 24.5 mm |
|---------|---------|

|    |       |
|----|-------|
| Ls | 24 mm |
|----|-------|

|     |       |
|-----|-------|
| SW1 | 14 mm |
|-----|-------|

|   |      |
|---|------|
| Z | 1 mm |
|---|------|

### Contact to Schmalz

J. Schmalz GmbH | Johannes-Schmalz-Straße, 72293 Glatten, Deutschland | +49 7443 2403-102 | [customercenter@schmalz.de](mailto:customercenter@schmalz.de)

## Technical Data

| Attribute                       | Value                 |
|---------------------------------|-----------------------|
| Suction force                   | 8 N                   |
| Volume                          | 0.327 cm <sup>3</sup> |
| Curve radius (min) (convex)     | 7.5 mm                |
| Internal hose diameter (recom.) | 4 mm                  |
| Dimensions (LxB)                | 24 x 8 mm             |
| Number of folds                 | 0                     |
| Suction cup material            | Silicone SI           |
| Material hardness               | 60 °Sh                |
| Weight                          | 7.4 g                 |
| Product family                  | SGON                  |

### Note:

- Suction force: The specified suction forces are theoretical values at a vacuum of -0.6 bar and with a smooth, dry workpiece surface - they do not include a safety factor
- Hose diameter: The recommended hose diameter refers to a hose length of approx. 2 m

## Spare Parts



### SA-NIP N022 G1/8-IG DN350

Part no. 10.01.05.00123

Suction cup connection nipple

Nipple: N 022

Thread G1: G1/8-F

Overall length: 18.5 mm

Fitting length: 13 mm

Nominal size: 3,50 mm

Material: Aluminium

### Contact to Schmalz



**SGO 24x8 SI-60 N022**

Part no. 10.01.05.00157

Flat suction cup (oval) for narrow or curved workpieces

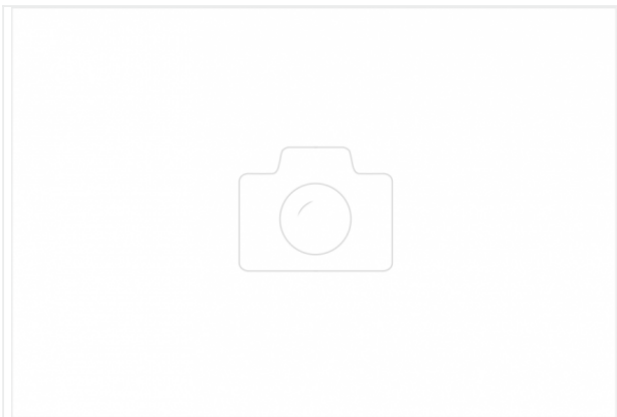
Dimensions (LxB): 24 x 8 mm

Suction cup material: Silicone SI

Material hardness: 60 °Sh

Material characteristics:

FDA-compatible



**ZOKL 11-13**

Part no. 10.07.10.00032

Two-ear clamp

Clamping range: 11.0 ... 13.0 mm

Material: Steel galvanised