

## Flat suction cup (oval)

<https://www.schmalz.com/10.01.05.00231>



SGON 24x8 NBR-AS-60  
G1/8-AG

Part no.: 10.01.05.00231

Homepage > Vacuum Technology for Automation > Vacuum Components > Vacuum Suction Cups > Flat Suction Cups (Oval) > Flat Suction Cups  
SGON > SGON 24x8 NBR-AS-60 G1/8-AG

### Flat suction cup (oval) for long and also curved workpieces



Dimensions (LxB): 24 x 8 mm

Suction cup material:

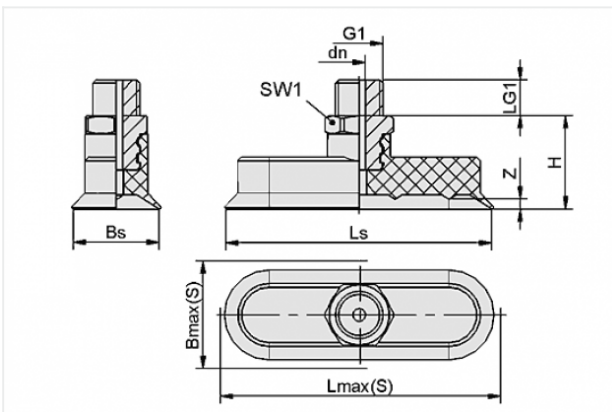
Nitrile rubber NBR-antistat

Material hardness: 60 °Sh

Nipple material: Aluminium

Vacuum connection: G1/8"-M

### Design Data



Attribute	Value
-----------	-------

Bmax(S)	9 mm
---------	------

Bs	8 mm
----	------

dn	1.5 mm
----	--------

G1	G1/8"-M
----	---------

H	17 mm
---	-------

LG1	8 mm
-----	------

Lmax(S)	24.5 mm
---------	---------

Ls	24 mm
----	-------

SW1	14 mm
-----	-------

Z	1 mm
---	------

### Contact to Schmalz

J. Schmalz GmbH | Johannes-Schmalz-Straße, 72293 Glatten, Deutschland | +49 7443 2403-102 |  
customercenter@schmalz.de

## Technical Data

Attribute	Value
Suction force	8 N
Volume	0.327 cm <sup>3</sup>
Curve radius (min) (convex)	7.5 mm
Internal hose diameter (recom.)	4 mm
Dimensions (LxB)	24 x 8 mm
Number of folds	0
Suction cup material	Nitrile rubber NBR-antistat
Material hardness	60 °Sh
Weight	6.7 g
Product family	SGON

### Note:

- Suction force: The specified suction forces are theoretical values at a vacuum of -0.6 bar and with a smooth, dry workpiece surface - they do not include a safety factor
- Hose diameter: The recommended hose diameter refers to a hose length of approx. 2 m

## Spare Parts



### SA-NIP N022 G1/8-AG DN350

Part no. 10.01.05.00124

Suction cup connection nipple

Nipple: N 022

Thread G1: G1/8-M

Overall length: 18.5 mm

Fitting length: 5 mm

Nominal size: 3,50 mm

Material: Aluminium

### Contact to Schmalz



**ZOKL 11-13**

Part no. 10.07.10.00032

Two-ear clamp

Clamping range: 11.0 ... 13.0 mm

Material: Steel galvanised