

# Suction cup connection nipple

## SA-NIP N022 G1/8-IG DN350

<https://www.schmalz.com/10.01.05.00123>



Part no.: 10.01.05.00123

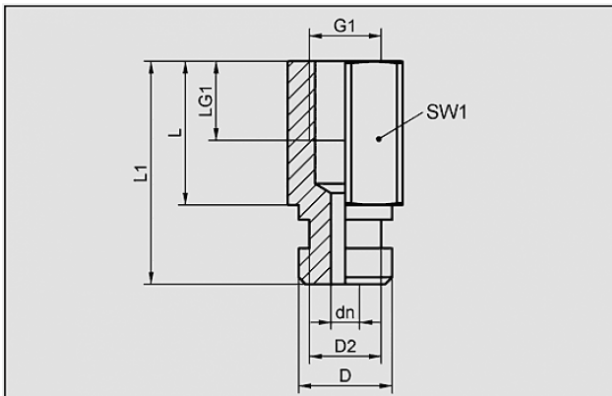
Homepage > Vacuum Technology for Automation > Vacuum Components > Vacuum Suction Cups > Flat Suction Cups (Oval) > SA-NIP N022 G1/8-IG DN350

## Suction cup connection nipple



Nipple: N 022  
Thread G1: G1/8-F  
Overall length: 18.5 mm  
Fitting length: 13 mm  
Nominal size: 3,50 mm  
Material: Aluminium

## Design Data



Attribute	Value
dn	3.5 mm
D	7.5 mm
D2	6 mm
G1	G1/8"-F
L	13 mm
L1	18.5 mm
L2	2 mm
L3	2.5 mm
LG1	8 mm
SW1	14 mm

## Contact to Schmalz

J. Schmalz GmbH | Johannes-Schmalz-Straße, 72293 Glatten, Deutschland | +49 7443 2403-102 | [customercenter@schmalz.de](mailto:customercenter@schmalz.de)

## Technical Data

Attribute	Value
Nipple	N 022
Material	Aluminium
Weight	4.5 g

---

---