

Flat suction cup (oval)

<https://www.schmalz.com/10.01.05.00437>



SGO 24x8 HT1-60 N022

Part no.: 10.01.05.00437

Homepage > Vacuum Technology for Automation > Vacuum Components > Vacuum Suction Cups > Flat Suction Cups (Oval) > SGO 24x8 HT1-60 N022

Flat suction cup (oval) for narrow or curved workpieces



Dimensions (LxB): 24 x 8 mm

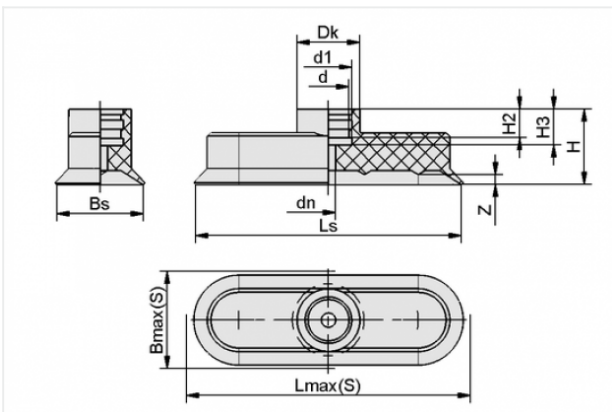
Suction cup material:

High temp material HT1

Material hardness: 60 °Sh

Material property: imprint-free

Design Data



Attribute	Value
-----------	-------

Bmax(S)	9 mm
---------	------

Bs	7.6 mm
----	--------

d	5.5 mm
---	--------

d1	7 mm
----	------

dn	1.5 mm
----	--------

Dk	11.5 mm
----	---------

Lmax(S)	24.5 mm
---------	---------

Ls	23.6 mm
----	---------

H	12 mm
---	-------

H2	3 mm
----	------

H3	5.5 mm
----	--------

Z	1 mm
---	------

Contact to Schmalz

J. Schmalz GmbH | Johannes-Schmalz-Straße, 72293 Glatten, Deutschland | +49 7443 2403-102 | customercenter@schmalz.de

Technical Data

Attribute	Value
Suction force	8 N
Dimensions (LxB)	24 x 8 mm
Suction cup material	High temp material HT1
Material hardness	60 °Sh
Weight	1 g
Product family	SGO

Accessories



SA-NIP N022 G1/8-IG DN350

Part no. 10.01.05.00123

Suction cup connection nipple

Nipple: N 022

Thread G1: G1/8-F

Overall length: 18.5 mm

Fitting length: 13 mm

Nominal size: 3,50 mm

Material: Aluminium



SA-NIP N022 G1/8-AG DN350

Part no. 10.01.05.00124

Suction cup connection nipple

Nipple: N 022

Thread G1: G1/8-M

Overall length: 18.5 mm

Fitting length: 5 mm

Nominal size: 3,50 mm

Material: Aluminium

Contact to Schmalz