

Flat suction cup (oval)

SGON 24x8 HT1-60 G1/8-AG

<https://www.schmalz.com/10.01.05.00409>



Part no.: 10.01.05.00409

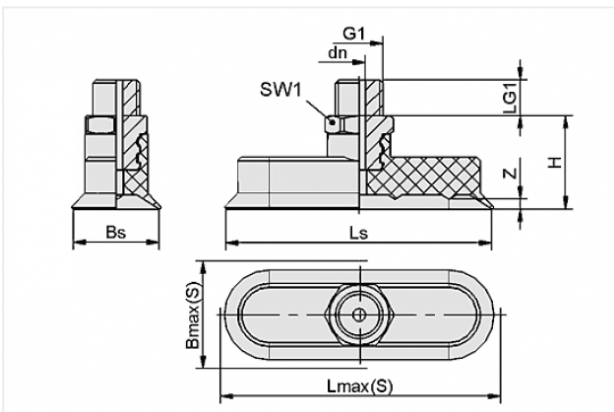
Homepage > Vacuum Technology for Automation > Vacuum Components > Vacuum Suction Cups > Flat Suction Cups (Oval) > Flat Suction Cups SGON > SGON 24x8 HT1-60 G1/8-AG

Flat suction cup (oval) for long and also curved workpieces



Dimensions (LxB): 24 x 8 mm
 Suction cup material:
 High temp material HT1
 Material hardness: 60 °Sh
 Material property: non-marking
 Nipple material: Aluminium
 Vacuum connection: G1/8"-M

Design Data



Attribute	Value
Bmax(S)	9 mm
Bs	8 mm
dn	1.5 mm
G1	G1/8"-M
H	17 mm
LG1	8 mm
Lmax(S)	24.5 mm
Ls	24 mm
SW1	14 mm
Z	1 mm

Contact to Schmalz

J. Schmalz GmbH | Johannes-Schmalz-Straße, 72293 Glatten, Deutschland | +49 7443 2403-102 | customercenter@schmalz.de

Technical Data

Attribute	Value
Suction force	8 N
Volume	0.327 cm ³
Curve radius (min) (convex)	7.5 mm
Internal hose diameter (recom.)	4 mm
Dimensions (LxB)	24 x 8 mm
Number of folds	0
Suction cup material	High temp material HT1
Material hardness	60 °Sh
Weight	6.7 g
Product family	SGON

Note:

- Suction force: The specified suction forces are theoretical values at a vacuum of -0.6 bar and with a smooth, dry workpiece surface - they do not include a safety factor
- Hose diameter: The recommended hose diameter refers to a hose length of approx. 2 m

Spare Parts



SA-NIP N022 G1/8-AG DN350

Part no. 10.01.05.00124

Suction cup connection nipple

Nipple: N 022

Thread G1: G1/8-M

Overall length: 18.5 mm

Fitting length: 5 mm

Nominal size: 3,50 mm

Material: Aluminium

Contact to Schmalz



SGO 24x8 HT1-60 N022

Part no. 10.01.05.00437

Flat suction cup (oval) for narrow or curved workpieces

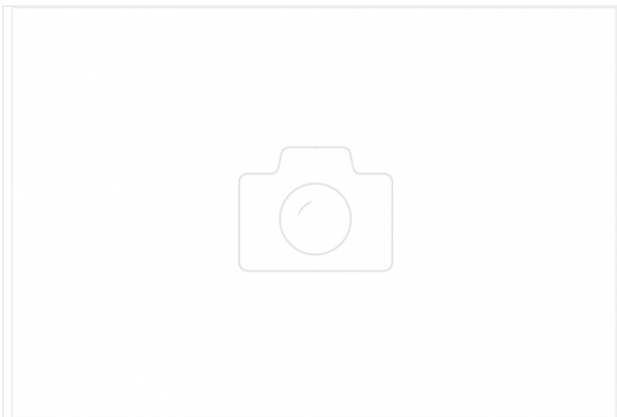
Dimensions (LxB): 24 x 8 mm

Suction cup material:

High temp material HT1

Material hardness: 60 °Sh

Material property: imprint-free



ZOKL 11-13

Part no. 10.07.10.00032

Two-ear clamp

Clamping range: 11.0 ... 13.0 mm

Material: Steel galvanised