

Flat suction cup (oval)

<https://www.schmalz.com/10.01.05.00117>



SGON 18x6 SI-60 M5-IG

Part no.: 10.01.05.00117

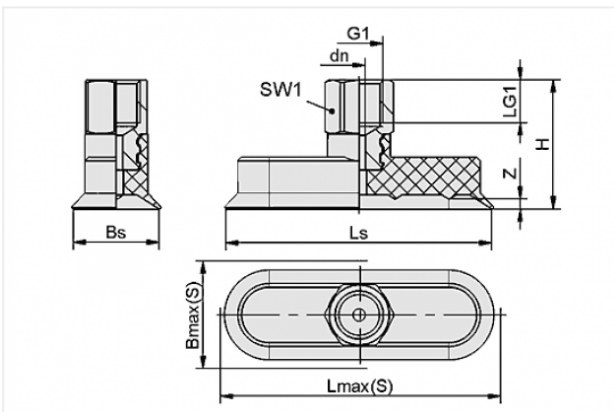
Homepage > Vacuum Technology for Automation > Vacuum Components > Vacuum Suction Cups > Flat Suction Cups (Oval) > Flat Suction Cups
SGON > SGON 18x6 SI-60 M5-IG

Flat suction cup (oval) for long and also curved workpieces



Dimensions (LxB): 18 x 6 mm
Suction cup material: Silicone SI
Material hardness: 60 °Sh
Material characteristics:
FDA-compatible
Nipple material: Aluminium
Vacuum connection: M5-F

Design Data



Attribute	Value
-----------	-------

$B_{max}(S)$	7 mm
--------------	------

B_s	6 mm
-------	------

dn	1.5 mm
------	--------

G1	M5-F
----	------

H	22 mm
---	-------

LG1	5.5 mm
-----	--------

$L_{max}(S)$	18.5 mm
--------------	---------

L_s	18 mm
-------	-------

SW1	8 mm
-----	------

Z	0.8 mm
---	--------

Contact to Schmalz

J. Schmalz GmbH | Johannes-Schmalz-Straße, 72293 Glatten, Deutschland | +49 7443 2403-102 | customercenter@schmalz.de

Technical Data

Attribute	Value
Suction force	4.5 N
Volume	0.058 cm ³
Curve radius (min) (convex)	4 mm
Internal hose diameter (recom.)	2 mm
Dimensions (LxB)	18 x 6 mm
Number of folds	0
Suction cup material	Silicone SI
Material hardness	60 °Sh
Weight	3.8 g
Product family	SGON

Note:

- Suction force: The specified suction forces are theoretical values at a vacuum of -0.6 bar and with a smooth, dry workpiece surface - they do not include a safety factor
- Hose diameter: The recommended hose diameter refers to a hose length of approx. 2 m

Spare Parts



SA-NIP N021 M5-IG DN200

Part no. 10.01.05.00125

Suction cup connection nipple

Nipple: N 021

Thread G1: M5-F

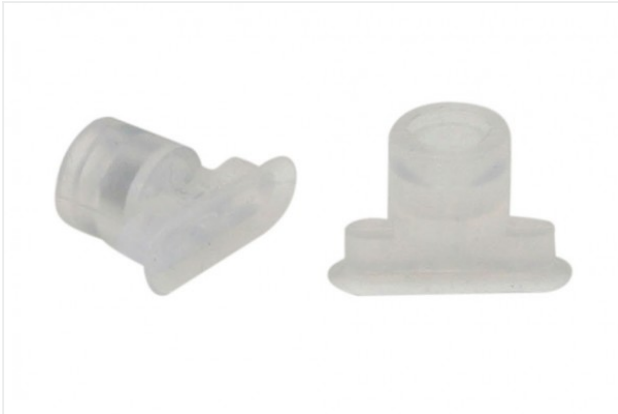
Overall length: 15.5 mm

Fitting length: 10 mm

Nominal size: 2.00 mm

Material: Aluminium

Contact to Schmalz



SGO 18x6 SI-60 N021

Part no. 10.01.05.00080

Flat suction cup (oval) for narrow or curved workpieces

Dimensions (LxB): 18 x 6 mm

Suction cup material: Silicone SI

Material hardness: 60 °Sh

Material characteristics:

FDA-compatible