

# Flat suction cup (oval)

## SGO 18x6 NBR-AS-60 N021

<https://www.schmalz.com/10.01.05.00226>



Part no.: 10.01.05.00226

Homepage > Vacuum Technology for Automation > Vacuum Components > Vacuum Suction Cups > Flat Suction Cups (Oval) > SGO 18x6 NBR-AS-60 N021

### Flat suction cup (oval) for narrow or curved workpieces



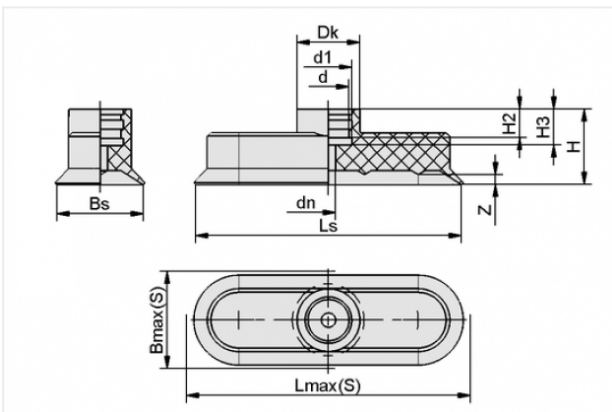
Dimensions (LxB): 18 x 6 mm

Suction cup material:

Nitrile rubber NBR-antistat

Material hardness: 60 °Sh

### Design Data



Attribute	Value
Bmax(S)	7 mm
Bs	5.6 mm
d	4.5 mm
d1	6 mm
dn	1.5 mm
Dk	8.5 mm
Lmax(S)	18.5 mm
Ls	17.6 mm
H	12 mm
H2	3 mm
H3	5.5 mm
Z	0.8 mm

### Contact to Schmalz

J. Schmalz GmbH | Johannes-Schmalz-Straße, 72293 Glatten, Deutschland | +49 7443 2403-102 | [customercenter@schmalz.de](mailto:customercenter@schmalz.de)

## Technical Data

Attribute	Value
Suction force	4.5 N
Dimensions (LxB)	18 x 6 mm
Suction cup material	Nitrile rubber NBR-antistat
Material hardness	60 °Sh
Weight	0.5 g
Product family	SGO

## Accessories



### SA-NIP N021 M5-IG DN200

Part no. 10.01.05.00125  
 Suction cup connection nipple  
 Nipple: N 021  
 Thread G1: M5-F  
 Overall length: 15.5 mm  
 Fitting length: 10 mm  
 Nominal size: 2.00 mm  
 Material: Aluminium



### SA-NIP N021 M5-AG DN200

Part no. 10.01.05.00126  
 Suction cup connection nipple  
 Nipple: N 021  
 Thread G1: M5-M  
 Overall length: 15.5 mm  
 Fitting length: 5 mm  
 Nominal size: 2.00 mm  
 Material: Aluminium