

# Flat suction cup (oval)

<https://www.schmalz.com/10.01.05.00430>



## SGO 18x6 HT1-60 N021

Part no.: 10.01.05.00430

Homepage > Vacuum Technology for Automation > Vacuum Components > Vacuum Suction Cups > Flat Suction Cups (Oval) > SGO 18x6 HT1-60 N021

### Flat suction cup (oval) for narrow or curved workpieces



Dimensions (LxB): 18 x 6 mm

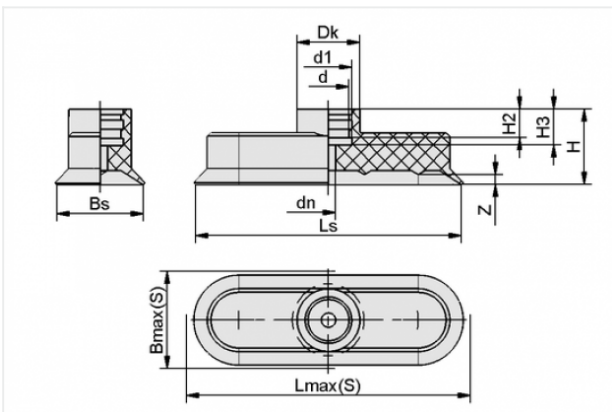
Suction cup material:

High temp material HT1

Material hardness: 60 °Sh

Material property: imprint-free

### Design Data



Attribute	Value
-----------	-------

Bmax(S)	7 mm
---------	------

Bs	5.6 mm
----	--------

d	4.5 mm
---	--------

d1	6 mm
----	------

dn	1.5 mm
----	--------

Dk	8.5 mm
----	--------

Lmax(S)	18.5 mm
---------	---------

Ls	17.6 mm
----	---------

H	12 mm
---	-------

H2	3 mm
----	------

H3	5.5 mm
----	--------

Z	0.8 mm
---	--------

### Contact to Schmalz

J. Schmalz GmbH | Johannes-Schmalz-Straße, 72293 Glatten, Deutschland | +49 7443 2403-102 | [customercenter@schmalz.de](mailto:customercenter@schmalz.de)

## Technical Data

Attribute	Value
Suction force	4.5 N
Dimensions (LxB)	18 x 6 mm
Suction cup material	High temp material HT1
Material hardness	60 °Sh
Weight	0.5 g
Product family	SGO

## Accessories



### SA-NIP N021 M5-IG DN200

Part no. 10.01.05.00125  
 Suction cup connection nipple  
 Nipple: N 021  
 Thread G1: M5-F  
 Overall length: 15.5 mm  
 Fitting length: 10 mm  
 Nominal size: 2.00 mm  
 Material: Aluminium



### SA-NIP N021 M5-AG DN200

Part no. 10.01.05.00126  
 Suction cup connection nipple  
 Nipple: N 021  
 Thread G1: M5-M  
 Overall length: 15.5 mm  
 Fitting length: 5 mm  
 Nominal size: 2.00 mm  
 Material: Aluminium

## Contact to Schmalz