

# Flat suction cup (oval)

<https://www.schmalz.com/10.01.05.00120>



## SGON 15x5 SI-60 M5-AG

Part no.: 10.01.05.00120

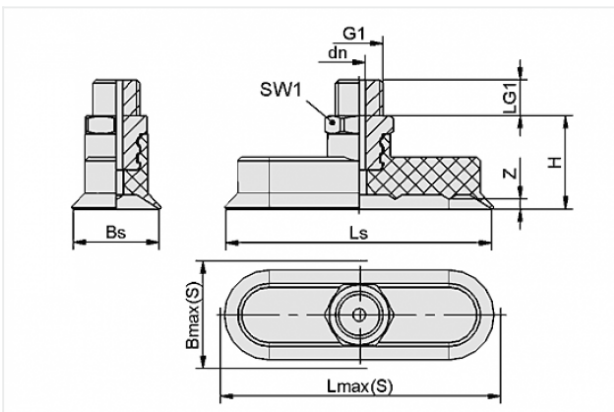
Homepage > Vacuum Technology for Automation > Vacuum Components > Vacuum Suction Cups > Flat Suction Cups (Oval) > Flat Suction Cups  
SGON > SGON 15x5 SI-60 M5-AG

### Flat suction cup (oval) for long and also curved workpieces



Dimensions (LxB): 15 x 5 mm  
Suction cup material: Silicone SI  
Material hardness: 60 °Sh  
Material characteristics:  
FDA-compatible  
Nipple material: Aluminium  
Vacuum connection: M5-M

### Design Data



Attribute	Value
-----------	-------

Bmax(S)	5.5 mm
---------	--------

Bs	5 mm
----	------

dn	1.2 mm
----	--------

G1	M5-M
----	------

H	17 mm
---	-------

LG1	5 mm
-----	------

Lmax(S)	15.5 mm
---------	---------

Ls	15 mm
----	-------

SW1	8 mm
-----	------

Z	0.7 mm
---	--------

### Contact to Schmalz

J. Schmalz GmbH | Johannes-Schmalz-Straße, 72293 Glatten, Deutschland | +49 7443 2403-102 | [customercenter@schmalz.de](mailto:customercenter@schmalz.de)

## Technical Data

Attribute	Value
Suction force	3.1 N
Volume	0.175 cm <sup>3</sup>
Curve radius (min) (convex)	4 mm
Internal hose diameter (recom.)	2 mm
Dimensions (LxB)	15 x 5 mm
Number of folds	0
Suction cup material	Silicone SI
Material hardness	60 °Sh
Weight	3.4 g
Product family	SGON

### Note:

- Suction force: The specified suction forces are theoretical values at a vacuum of -0.6 bar and with a smooth, dry workpiece surface - they do not include a safety factor
- Hose diameter: The recommended hose diameter refers to a hose length of approx. 2 m

## Spare Parts



### SA-NIP N021 M5-AG DN200

Part no. 10.01.05.00126

Suction cup connection nipple

Nipple: N 021

Thread G1: M5-M

Overall length: 15.5 mm

Fitting length: 5 mm

Nominal size: 2.00 mm

Material: Aluminium

### Contact to Schmalz



**SGO 15x5 SI-60 N021**

Part no. 10.01.05.00079

Flat suction cup (oval) for narrow or curved workpieces

Dimensions (LxB): 15 x 5 mm

Suction cup material: Silicone SI

Material hardness: 60 °Sh

Material characteristics:

FDA-compatible