

Suction cup connection nipple

SA-NIP N021 M5-IG DN200

<https://www.schmalz.com/10.01.05.00125>



Part no.: 10.01.05.00125

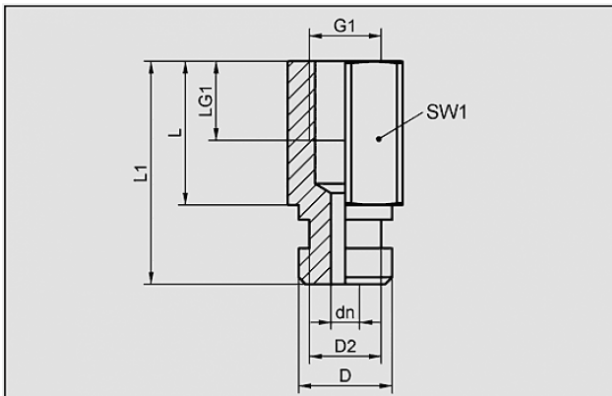
Homepage > Vacuum Technology for Automation > Vacuum Components > Vacuum Suction Cups > Flat Suction Cups (Oval) > SA-NIP N021 M5-IG DN200

Suction cup connection nipple



Nipple: N 021
Thread G1: M5-F
Overall length: 15.5 mm
Fitting length: 10 mm
Nominal size: 2.00 mm
Material: Aluminium

Design Data



Attribute	Value
-----------	-------

dn	2 mm
D	6.5 mm
D2	5 mm
G1	M5-F
L	10 mm
L1	15.5 mm
L2	2 mm
L3	2.5 mm
LG1	5.5 mm
SW1	8 mm

Contact to Schmalz

J. Schmalz GmbH | Johannes-Schmalz-Straße, 72293 Glatten, Deutschland | +49 7443 2403-102 | customercenter@schmalz.de

Technical Data

Attribute	Value
Nipple	N 021
Material	Aluminium
Weight	1.5 g
