

Flat suction cup (oval)

<https://www.schmalz.com/10.01.05.00429>



SGO 15x5 HT1-60 N021

Part no.: 10.01.05.00429

Homepage > Vacuum Technology for Automation > Vacuum Components > Vacuum Suction Cups > Flat Suction Cups (Oval) > SGO 15x5 HT1-60 N021

Flat suction cup (oval) for narrow or curved workpieces



Dimensions (LxB): 15 x 5 mm

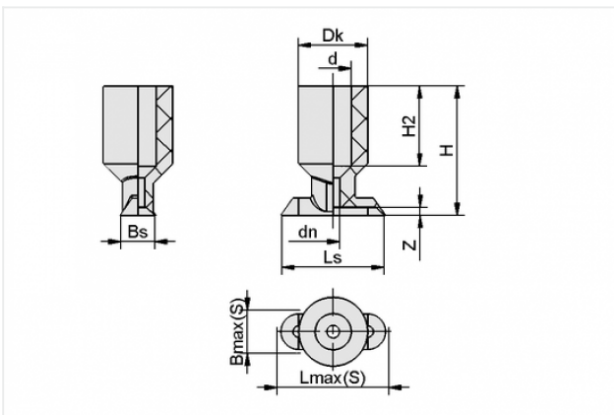
Suction cup material:

High temp material HT1

Material hardness: 60 °Sh

Material property: imprint-free

Design Data



Attribute	Value
-----------	-------

Bmax(S)	5.5 mm
---------	--------

Bs	4.6 mm
----	--------

d	4.5 mm
---	--------

d1	6 mm
----	------

dn	1.2 mm
----	--------

Dk	8.5 mm
----	--------

Lmax(S)	15.5 mm
---------	---------

Ls	14.6 mm
----	---------

H	12 mm
---	-------

H2	3 mm
----	------

H3	5.5 mm
----	--------

Z	0.7 mm
---	--------

Contact to Schmalz

J. Schmalz GmbH | Johannes-Schmalz-Straße, 72293 Glatten, Deutschland | +49 7443 2403-102 | customercenter@schmalz.de

Technical Data

Attribute	Value
Suction force	3.1 N
Dimensions (LxB)	15 x 5 mm
Suction cup material	High temp material HT1
Material hardness	60 °Sh
Weight	0.4 g
Product family	SGO

Accessories



SA-NIP N021 M5-IG DN200

Part no. 10.01.05.00125
 Suction cup connection nipple
 Nipple: N 021
 Thread G1: M5-F
 Overall length: 15.5 mm
 Fitting length: 10 mm
 Nominal size: 2.00 mm
 Material: Aluminium



SA-NIP N021 M5-AG DN200

Part no. 10.01.05.00126
 Suction cup connection nipple
 Nipple: N 021
 Thread G1: M5-M
 Overall length: 15.5 mm
 Fitting length: 5 mm
 Nominal size: 2.00 mm
 Material: Aluminium