

Flat suction cup (oval)

SGON 15x5 HT1-60 M5-AG

<https://www.schmalz.com/10.01.05.00407>



Part no.: 10.01.05.00407

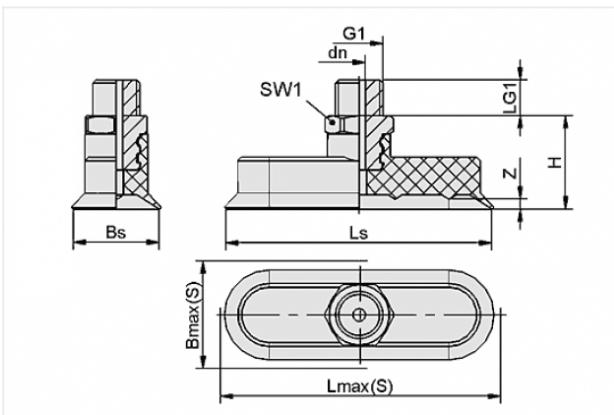
Homepage > Vacuum Technology for Automation > Vacuum Components > Vacuum Suction Cups > Flat Suction Cups (Oval) > Flat Suction Cups SGON > SGON 15x5 HT1-60 M5-AG

Flat suction cup (oval) for long and also curved workpieces



Dimensions (LxB): 15 x 5 mm
 Suction cup material:
 High temp material HT1
 Material hardness: 60 °Sh
 Material property: non-marking
 Nipple material: Aluminium
 Vacuum connection: M5-M

Design Data



Attribute	Value
Bmax(S)	5.5 mm
Bs	5 mm
dn	1.2 mm
G1	M5-M
H	17 mm
LG1	5 mm
Lmax(S)	15.5 mm
Ls	15 mm
SW1	8 mm
Z	0.7 mm

Contact to Schmalz

J. Schmalz GmbH | Johannes-Schmalz-Straße, 72293 Glatten, Deutschland | +49 7443 2403-102 | customercenter@schmalz.de

Technical Data

Attribute	Value
Suction force	3.1 N
Volume	0.175 cm ³
Curve radius (min) (convex)	4 mm
Internal hose diameter (recom.)	2 mm
Dimensions (LxB)	15 x 5 mm
Number of folds	0
Suction cup material	High temp material HT1
Material hardness	60 °Sh
Weight	3.4 g
Product family	SGON

Note:

- Suction force: The specified suction forces are theoretical values at a vacuum of -0.6 bar and with a smooth, dry workpiece surface - they do not include a safety factor
- Hose diameter: The recommended hose diameter refers to a hose length of approx. 2 m

Spare Parts



SA-NIP N021 M5-AG DN200

Part no. 10.01.05.00126

Suction cup connection nipple

Nipple: N 021

Thread G1: M5-M

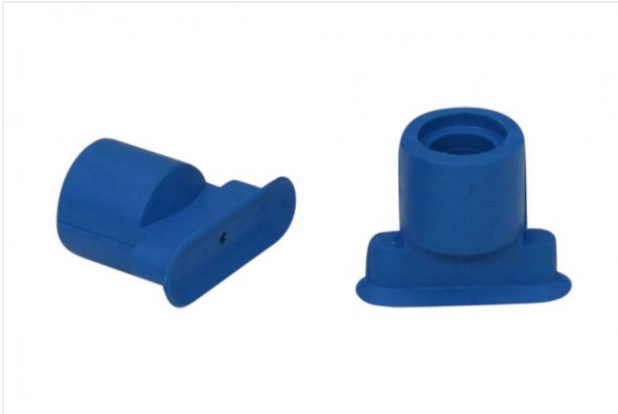
Overall length: 15.5 mm

Fitting length: 5 mm

Nominal size: 2.00 mm

Material: Aluminium

Contact to Schmalz



SGO 15x5 HT1-60 N021

Part no. 10.01.05.00429

Flat suction cup (oval) for narrow or curved workpieces

Dimensions (LxB): 15 x 5 mm

Suction cup material:

High temp material HT1

Material hardness: 60 °Sh

Material property: imprint-free