

# Flat suction cup (oval)

<https://www.schmalz.com/10.01.01.00222>



## SGO 12x4 SI-65 N020

Part no.: 10.01.01.00222

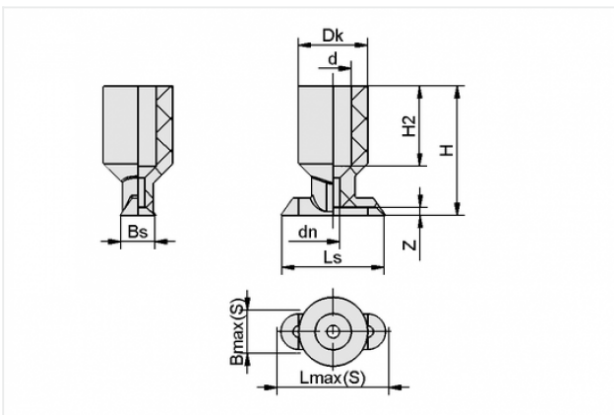
Homepage > Vacuum Technology for Automation > Vacuum Components > Vacuum Suction Cups > Flat Suction Cups (Oval) > SGO 12x4 SI-65 N020

### Flat suction cup (oval) for narrow or curved workpieces



Dimensions (LxB): 12 x 4 mm  
Suction cup material: Silicone SI  
Material hardness: 65 °Sh

### Design Data



Attribute	Value
-----------	-------

Bmax(S)	5 mm
Bs	4 mm
d	4.2 mm
dn	1.5 mm
Dk	8 mm
Lmax(S)	13 mm
Ls	12 mm
H	15 mm
H2	9.3 mm
Z	0.5 mm

### Contact to Schmalz

J. Schmalz GmbH | Johannes-Schmalz-Straße, 72293 Glatten, Deutschland | +49 7443 2403-102 | [customercenter@schmalz.de](mailto:customercenter@schmalz.de)

## Technical Data

Attribute	Value
Suction force	1.8 N
Dimensions (LxB)	12 x 4 mm
Suction cup material	Silicone SI
Material hardness	65 °Sh
Weight	0.5 g
Product family	SGO

## Accessories



### SA-NIP N020 M5-AG DN180

Part no. 10.01.01.00312

Suction cup connection nipple

Nipple: N 020

Thread G1: M5-M

Overall length: 15 mm

Fitting length: 3 mm

Nominal size: 1,80 mm

Material: Aluminium