

Flat suction cup (oval)

<https://www.schmalz.com/10.01.01.00221>



SGON 12x4 SI-65 M5-AG

Part no.: 10.01.01.00221

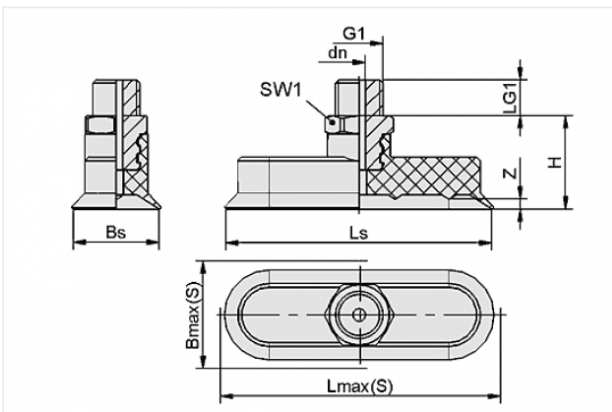
Homepage > Vacuum Technology for Automation > Vacuum Components > Vacuum Suction Cups > Flat Suction Cups (Oval) > Flat Suction Cups
SGON > SGON 12x4 SI-65 M5-AG

Flat suction cup (oval) for long and also curved workpieces



Dimensions (LxB): 12 x 4 mm
Suction cup material: Silicone SI
Material hardness: 65 °Sh
Nipple material: Aluminium
Vacuum connection: M5-M

Design Data



Attribute	Value
-----------	-------

Bmax(S)	5 mm
Bs	3.9 mm
dn	1.5 mm
G1	M5-M
H	18 mm
LG1	4.5 mm
Lmax(S)	13 mm
Ls	11.9 mm
SW1	8 mm
Z	0.5 mm

Contact to Schmalz

J. Schmalz GmbH | Johannes-Schmalz-Straße, 72293 Glatten, Deutschland | +49 7443 2403-102 | customercenter@schmalz.de

Technical Data

Attribute	Value
Suction force	1.8 N
Volume	0.173 cm ³
Curve radius (min) (convex)	3 mm
Internal hose diameter (recom.)	2 mm
Dimensions (LxB)	12 x 4 mm
Number of folds	0
Suction cup material	Silicone SI
Material hardness	65 °Sh
Weight	2.9 g
Product family	SGON

Note:

- Suction force: The specified suction forces are theoretical values at a vacuum of -0.6 bar and with a smooth, dry workpiece surface - they do not include a safety factor
- Hose diameter: The recommended hose diameter refers to a hose length of approx. 2 m

Spare Parts



SA-NIP N020 M5-AG DN180

Part no. 10.01.01.00312

Suction cup connection nipple

Nipple: N 020

Thread G1: M5-M

Overall length: 15 mm

Fitting length: 3 mm

Nominal size: 1,80 mm

Material: Aluminium

Contact to Schmalz



SGO 12x4 SI-65 N020

Part no. 10.01.01.00222

Flat suction cup (oval) for narrow or curved workpieces

Dimensions (LxB): 12 x 4 mm

Suction cup material: Silicone SI

Material hardness: 65 °Sh