

# Flat suction cup (oval) SGON 12x4 NBR-AS-55 M5- AG

<https://www.schmalz.com/10.01.05.00238>



Part no.: 10.01.05.00238

Homepage > Vacuum Technology for Automation > Vacuum Components > Vacuum Suction Cups > Flat Suction Cups (Oval) > Flat Suction Cups  
SGON > SGON 12x4 NBR-AS-55 M5-AG

## Flat suction cup (oval) for long and also curved workpieces



Dimensions (LxB): 12 x 4 mm

Suction cup material:

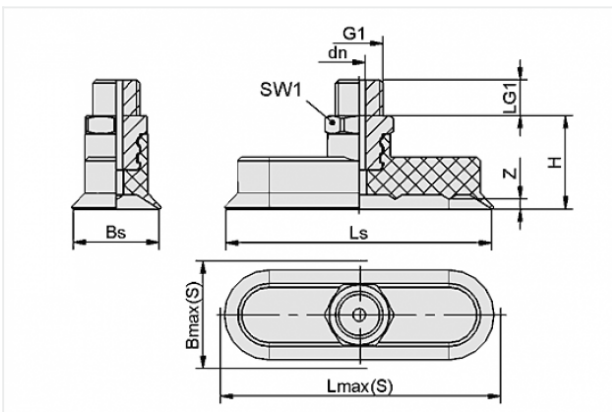
Nitrile rubber NBR-antistat

Material hardness: 55 °Sh

Nipple material: Aluminium

Vacuum connection: M5-M

## Design Data



Attribute	Value
-----------	-------

Bmax(S)	5 mm
Bs	3.9 mm
dn	1.5 mm
G1	M5-M
H	18 mm
LG1	4.5 mm
Lmax(S)	13 mm
Ls	11.9 mm
SW1	8 mm
Z	0.5 mm

## Contact to Schmalz

J. Schmalz GmbH | Johannes-Schmalz-Straße, 72293 Glatten, Deutschland | +49 7443 2403-102 | [customercenter@schmalz.de](mailto:customercenter@schmalz.de)

## Technical Data

Attribute	Value
Suction force	1.8 N
Volume	0.173 cm <sup>3</sup>
Curve radius (min) (convex)	3 mm
Internal hose diameter (recom.)	2 mm
Dimensions (LxB)	12 x 4 mm
Number of folds	0
Suction cup material	Nitrile rubber NBR-antistat
Material hardness	55 °Sh
Weight	2.9 g
Product family	SGON

### Note:

- Suction force: The specified suction forces are theoretical values at a vacuum of -0.6 bar and with a smooth, dry workpiece surface - they do not include a safety factor
- Hose diameter: The recommended hose diameter refers to a hose length of approx. 2 m

## Spare Parts



### SA-NIP N020 M5-AG DN180

Part no. 10.01.01.00312

Suction cup connection nipple

Nipple: N 020

Thread G1: M5-M

Overall length: 15 mm

Fitting length: 3 mm

Nominal size: 1,80 mm

Material: Aluminium

### Contact to Schmalz



**SGO 12x4 NBR-AS-55 N020**

Part no. 10.01.05.00237

Flat suction cup (oval) for narrow or curved workpieces

Dimensions (LxB): 12 x 4 mm

Suction cup material:

Nitrile rubber NBR-antistat

Material hardness: 55 °Sh