

Flat suction cup (oval)

<https://www.schmalz.com/10.01.05.00235>



SGO 12x4 NBR-55 N020

Part no.: 10.01.05.00235

Homepage > Vacuum Technology for Automation > Vacuum Components > Vacuum Suction Cups > Flat Suction Cups (Oval) > SGO 12x4 NBR-55 N020

Flat suction cup (oval) for narrow or curved workpieces



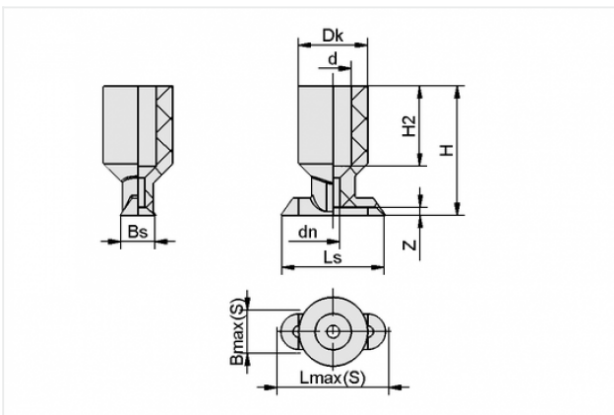
Dimensions (LxB): 12 x 4 mm

Suction cup material:

Nitrile rubber NBR

Material hardness: 55 °Sh

Design Data



| Attribute | Value |
|-----------|-------|
|-----------|-------|

| | |
|---------|------|
| Bmax(S) | 5 mm |
|---------|------|

| | |
|----|------|
| Bs | 4 mm |
|----|------|

| | |
|---|--------|
| d | 4.2 mm |
|---|--------|

| | |
|----|--------|
| dn | 1.5 mm |
|----|--------|

| | |
|----|------|
| Dk | 8 mm |
|----|------|

| | |
|---------|-------|
| Lmax(S) | 13 mm |
|---------|-------|

| | |
|----|-------|
| Ls | 12 mm |
|----|-------|

| | |
|---|-------|
| H | 15 mm |
|---|-------|

| | |
|----|--------|
| H2 | 9.3 mm |
|----|--------|

| | |
|---|--------|
| Z | 0.5 mm |
|---|--------|

Contact to Schmalz

J. Schmalz GmbH | Johannes-Schmalz-Straße, 72293 Glatten, Deutschland | +49 7443 2403-102 | customercenter@schmalz.de

Technical Data

| Attribute | Value |
|----------------------|--------------------|
| Suction force | 1.8 N |
| Dimensions (LxB) | 12 x 4 mm |
| Suction cup material | Nitrile rubber NBR |
| Material hardness | 55 °Sh |
| Weight | 0.5 g |
| Product family | SGO |

Accessories



SA-NIP N020 M5-AG DN180

Part no. 10.01.01.00312

Suction cup connection nipple

Nipple: N 020

Thread G1: M5-M

Overall length: 15 mm

Fitting length: 3 mm

Nominal size: 1,80 mm

Material: Aluminium