

Flat suction cup (oval)

<https://www.schmalz.com/10.01.05.00428>

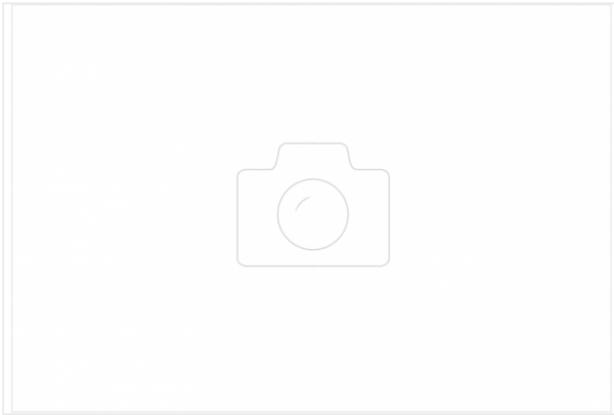


SGO 12x4 HT1-60 N020

Part no.: 10.01.05.00428

Homepage > Vacuum Technology for Automation > Vacuum Components > Vacuum Suction Cups > Flat Suction Cups (Oval) > SGO 12x4 HT1-60 N020

Flat suction cup (oval) for narrow or curved workpieces



Dimensions (LxB): 12 x 4 mm

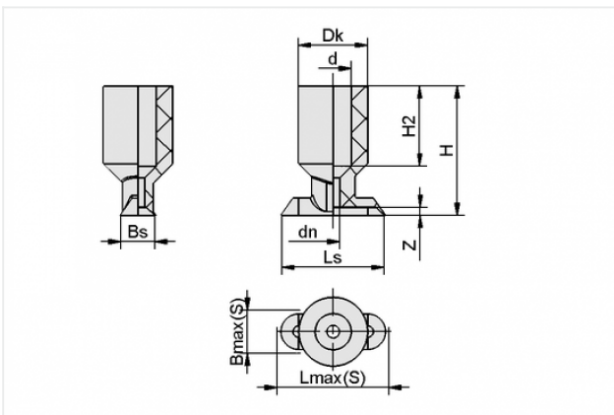
Suction cup material:

High temp material HT1

Material hardness: 60 °Sh

Material property: imprint-free

Design Data



Attribute	Value
-----------	-------

Bmax(S)	5 mm
---------	------

Bs	4 mm
----	------

d	4.2 mm
---	--------

dn	1.5 mm
----	--------

Dk	8 mm
----	------

Lmax(S)	13 mm
---------	-------

Ls	12 mm
----	-------

H	15 mm
---	-------

H2	9.3 mm
----	--------

Z	0.5 mm
---	--------

Contact to Schmalz

J. Schmalz GmbH | Johannes-Schmalz-Straße, 72293 Glatten, Deutschland | +49 7443 2403-102 | customercenter@schmalz.de

Technical Data

Attribute	Value
Suction force	1.8 N
Dimensions (LxB)	12 x 4 mm
Suction cup material	High temp material HT1
Material hardness	60 °Sh
Weight	0.5 g
Product family	SGO

Accessories



SA-NIP N020 M5-AG DN180

Part no. 10.01.01.00312

Suction cup connection nipple

Nipple: N 020

Thread G1: M5-M

Overall length: 15 mm

Fitting length: 3 mm

Nominal size: 1,80 mm

Material: Aluminium