

# Suction cup connection nipple

## SA-NIP N020 M5-AG DN180

<https://www.schmalz.com/10.01.01.00312>



Part no.: 10.01.01.00312

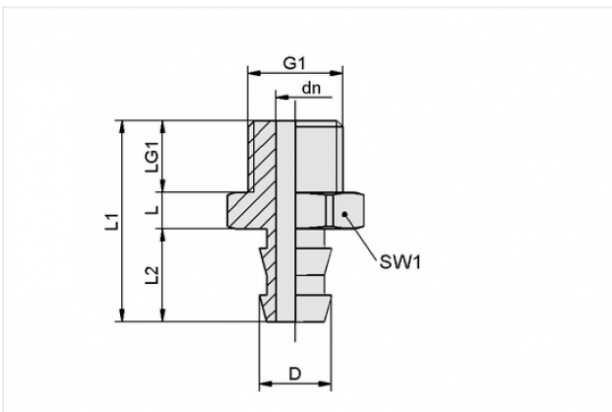
Homepage > Vacuum Technology for Automation > Vacuum Components > Vacuum Suction Cups > Suction Cups for Different Industries > SA-NIP N020 M5-AG DN180

## Suction cup connection nipple



Nipple: N 020  
Thread G1: M5-M  
Overall length: 15 mm  
Fitting length: 3 mm  
Nominal size: 1,80 mm  
Material: Aluminium

## Design Data



Attribute	Value
-----------	-------

dn	1.8 mm
----	--------

D	5.5 mm
---	--------

G1	M5-M
----	------

L	3 mm
---	------

L1	15 mm
----	-------

L2	7.5 mm
----	--------

LG1	4.5 mm
-----	--------

SW1	8 mm
-----	------

## Technical Data

### Contact to Schmalz

J. Schmalz GmbH | Johannes-Schmalz-Straße, 72293 Glatten, Deutschland | +49 7443 2403-102 | [customercenter@schmalz.de](mailto:customercenter@schmalz.de)

Attribute	Value
Nipple	N 020
Material	Aluminium
Weight	0.9 g

---

---