

# Flat suction cup (oval)

## SGON 7x3.5 SI-60 M3-AG

<https://www.schmalz.com/10.01.01.00567>



Part no.: 10.01.01.00567

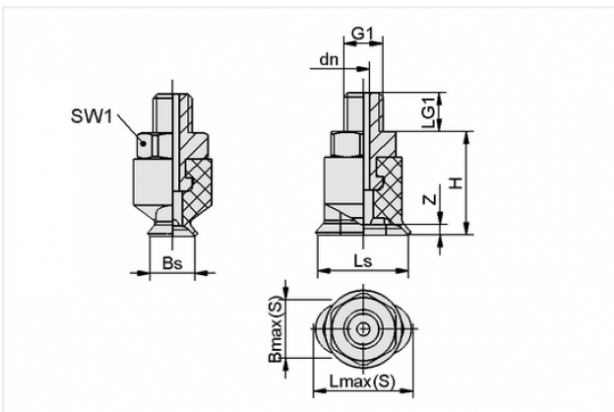
Homepage > Vacuum Technology for Automation > Vacuum Components > Vacuum Suction Cups > Flat Suction Cups (Oval) > Flat Suction Cups  
SGON > SGON 7x3.5 SI-60 M3-AG

### Flat suction cup (oval) for long and also curved workpieces



Dimensions (LxB): 7 x 3,5 mm  
Suction cup material: Silicone SI  
Material hardness: 60 °Sh  
Material characteristics:  
FDA-compatible  
Nipple material: Aluminium  
Vacuum connection: M3-M

### Design Data



| Attribute | Value |
|-----------|-------|
|-----------|-------|

|         |        |
|---------|--------|
| Bmax(S) | 4.5 mm |
|---------|--------|

|    |        |
|----|--------|
| Bs | 3.5 mm |
|----|--------|

|    |      |
|----|------|
| dn | 1 mm |
|----|------|

|    |      |
|----|------|
| G1 | M3-M |
|----|------|

|   |      |
|---|------|
| H | 8 mm |
|---|------|

|     |      |
|-----|------|
| LG1 | 3 mm |
|-----|------|

|         |        |
|---------|--------|
| Lmax(S) | 7.5 mm |
|---------|--------|

|    |      |
|----|------|
| Ls | 7 mm |
|----|------|

|     |      |
|-----|------|
| SW1 | 5 mm |
|-----|------|

|   |        |
|---|--------|
| Z | 0.8 mm |
|---|--------|

### Contact to Schmalz

J. Schmalz GmbH | Johannes-Schmalz-Straße, 72293 Glatten, Deutschland | +49 7443 2403-102 |  
customercenter@schmalz.de

## Technical Data

| Attribute                       | Value                 |
|---------------------------------|-----------------------|
| Suction force                   | 1 N                   |
| Volume                          | 0.029 cm <sup>3</sup> |
| Curve radius (min) (convex)     | 3 mm                  |
| Internal hose diameter (recom.) | 2 mm                  |
| Dimensions (LxB)                | 7 x 3,5 mm            |
| Number of folds                 | 0                     |
| Suction cup material            | Silicone SI           |
| Material hardness               | 60 °Sh                |
| Weight                          | 2 g                   |
| Product family                  | SGON                  |

### Note:

- Suction force: The specified suction forces are theoretical values at a vacuum of -0.6 bar and with a smooth, dry workpiece surface - they do not include a safety factor
- Hose diameter: The recommended hose diameter refers to a hose length of approx. 2 m

## Spare Parts



### SA-NIP N003 M3-AG DN100

Part no. 10.01.01.00316

Suction cup connection nipple

Nipple: N 003

Thread G1: M3-M

Overall length: 7.5 mm

Fitting length: 2 mm

Nominal size: 1.00 mm

Material: Aluminium

### Contact to Schmalz



**SGO 7x3.5 SI-60 N003**

Part no. 10.01.01.00464

Flat suction cup (oval) for narrow or curved workpieces

Dimensions (LxB): 7 x 3,5 mm

Suction cup material: Silicone SI

Material hardness: 60 °Sh

Material characteristics:

FDA-compatible