

Flat suction cup (oval) SGON 7x3.5 HT1-60 M3-AG

<https://www.schmalz.com/10.01.05.00405>



Part no.: 10.01.05.00405

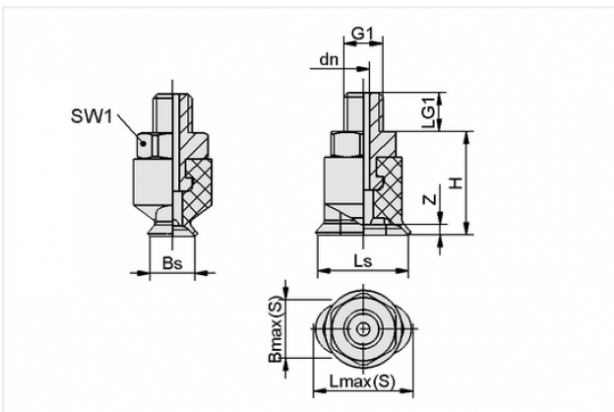
Homepage > Vacuum Technology for Automation > Vacuum Components > Vacuum Suction Cups > Flat Suction Cups (Oval) > Flat Suction Cups
SGON > SGON 7x3.5 HT1-60 M3-AG

Flat suction cup (oval) for long and also curved workpieces



Dimensions (LxB): 7 x 3,5 mm
Suction cup material:
High temp material HT1
Material hardness: 60 °Sh
Material property: non-marking
Nipple material: Aluminium
Vacuum connection: M3-M

Design Data



Attribute	Value
-----------	-------

Bmax(S)	4.5 mm
---------	--------

Bs	3.5 mm
----	--------

dn	1 mm
----	------

G1	M3-M
----	------

H	8 mm
---	------

LG1	3 mm
-----	------

Lmax(S)	7.5 mm
---------	--------

Ls	7 mm
----	------

SW1	5 mm
-----	------

Z	0.8 mm
---	--------

Contact to Schmalz

J. Schmalz GmbH | Johannes-Schmalz-Straße, 72293 Glatten, Deutschland | +49 7443 2403-102 |
customercenter@schmalz.de

Technical Data

Attribute	Value
Suction force	1 N
Volume	0.029 cm ³
Curve radius (min) (convex)	3 mm
Internal hose diameter (recom.)	2 mm
Dimensions (LxB)	7 x 3,5 mm
Number of folds	0
Suction cup material	High temp material HT1
Material hardness	60 °Sh
Weight	2 g
Product family	SGON

Note:

- Suction force: The specified suction forces are theoretical values at a vacuum of -0.6 bar and with a smooth, dry workpiece surface - they do not include a safety factor
- Hose diameter: The recommended hose diameter refers to a hose length of approx. 2 m

Spare Parts



SA-NIP N003 M3-AG DN100

Part no. 10.01.01.00316

Suction cup connection nipple

Nipple: N 003

Thread G1: M3-M

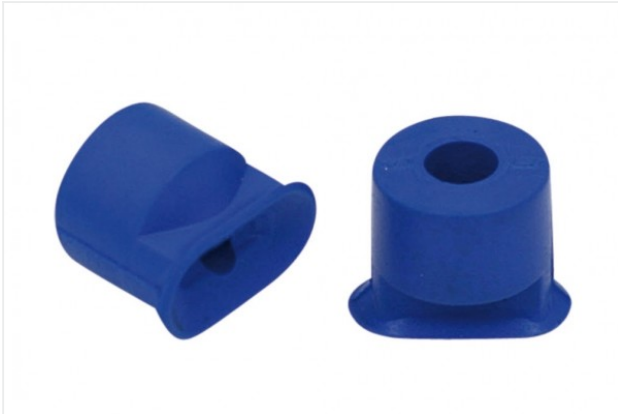
Overall length: 7.5 mm

Fitting length: 2 mm

Nominal size: 1.00 mm

Material: Aluminium

Contact to Schmalz



SGO 7x3.5 HT1-60 N003

Part no. 10.01.05.00427

Flat suction cup (oval) for narrow or curved workpieces

Dimensions (LxB): 7 x 3,5 mm

Suction cup material:

High temp material HT1

Material hardness: 60 °Sh

Material property: imprint-free