

Flat suction cup (round)

<https://www.schmalz.com/10.01.01.11053>



PFYN-F 50 SI-50 G1/8-IG

Part no.: 10.01.01.11053

Homepage > Vacuum Technology for Automation > Vacuum Components > Vacuum Suction Cups > Flat Suction Cups (Round) > Flat Suction Cups

PFYN-F > PFYN-F 50 SI-50 G1/8-IG

Flat suction cup (round)



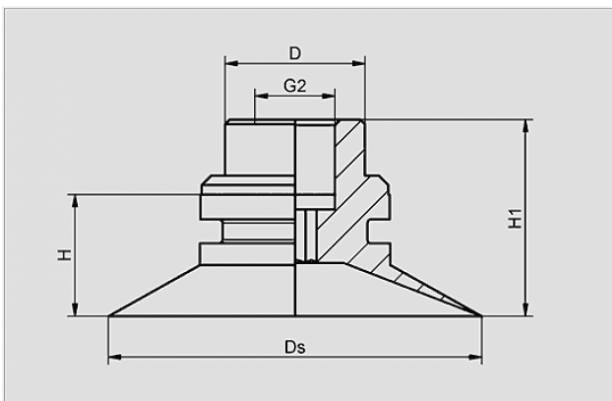
Size: 50

Suction cup material: Silicone SI

Material hardness: 50 °Sh

alt. Vacuum connection: G1/8-F

Design Data



Attribute	Value
-----------	-------

D	15 mm
---	-------

Ds	50 mm
----	-------

G2	G1/8"-F
----	---------

H	17.5 mm
---	---------

H1	27 mm
----	-------

Technical Data

Attribute	Value
-----------	-------

Weight	18.2 g
--------	--------

Suction cup material	Silicone SI
----------------------	-------------

Number of folds	0
-----------------	---

Contact to Schmalz

J. Schmalz GmbH | Johannes-Schmalz-Straße, 72293 Glatten, Deutschland | +49 7443 2403-102 | customercenter@schmalz.de

Spare Parts



SA-NIP G1/8-IG

Part no. 10.01.01.10938

Suction cup connection nipple

Thread G1: G1/8-F

Fitting length: 18 mm

Material: Aluminium



PFG-F 50 SI-50

Part no. 10.01.01.11034

Flat suction cup (round)

Size: 50

Suction cup material: Silicone SI

Material hardness: 50 °Sh