

# Flat suction cup (round)

<https://www.schmalz.com/10.01.01.11047>



PFYN-F 40 CR-50 G1/8-IG

Part no.: 10.01.01.11047

Homepage > Vacuum Technology for Automation > Vacuum Components > Vacuum Suction Cups > Flat Suction Cups (Round) > Flat Suction Cups

PFYN-F > PFYN-F 40 CR-50 G1/8-IG

## Flat suction cup (round)



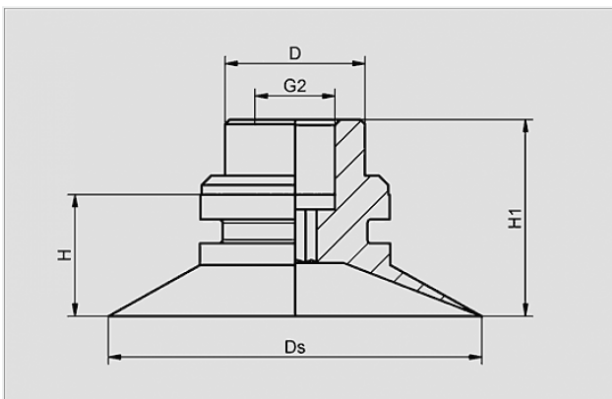
Size: 40

Suction cup material: Chloroprene CR

Material hardness: 50 °Sh

alt. Vacuum connection: G1/8-F

## Design Data



Attribute	Value
-----------	-------

D	15 mm
---	-------

Ds	40 mm
----	-------

G2	G1/8"-F
----	---------

H	13 mm
---	-------

H1	22 mm
----	-------

## Technical Data

Attribute	Value
-----------	-------

Weight	9.2 g
--------	-------

Suction cup material	Chloroprene CR
----------------------	----------------

Number of folds	0
-----------------	---

## Contact to Schmalz

J. Schmalz GmbH | Johannes-Schmalz-Straße, 72293 Glatten, Deutschland | +49 7443 2403-102 | [customercenter@schmalz.de](mailto:customercenter@schmalz.de)

---

## Spare Parts



### **SA-NIP G1/8-IG**

Part no. 10.01.01.10936

Suction cup connection nipple

Thread G1: G1/8-F

Fitting length: 15 mm

Material: Aluminium



### **PFG-F 40 CR-50**

Part no. 10.01.01.11029

Flat suction cup (round)

Size: 40

Suction cup material: Chloroprene CR

Material hardness: 50 °Sh