

Flat suction cup (round)

PFG-F 25 CR-50

Part no.: 10.01.01.11018

<https://www.schmalz.com/10.01.01.11018>



Homepage > Vacuum Technology for Automation > Vacuum Components > Vacuum Suction Cups > Flat Suction Cups (Round) > PFG-F 25 CR-50

Flat suction cup (round)

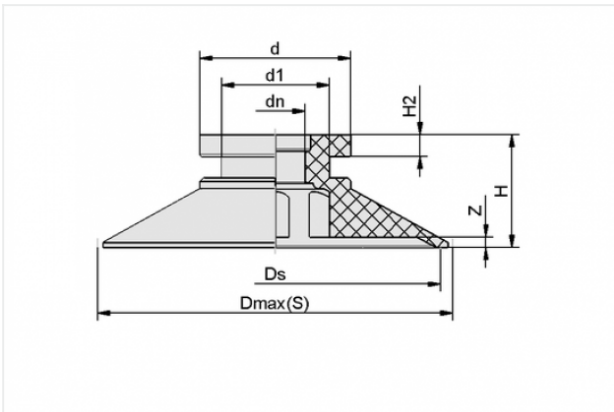


Size: 25

Suction cup material: Chloroprene CR

Material hardness: 50 °Sh

Design Data



Attribute	Value
Ds	25 mm
H	10.5 mm

Technical Data

Attribute	Value
Suction cup material	Chloroprene CR
Weight	1.8 g
Number of folds	0

Contact to Schmalz

J. Schmalz GmbH | Johannes-Schmalz-Straße, 72293 Glatten, Deutschland | +49 7443 2403-102 | customercenter@schmalz.de



[Contact to Schmalz](#)

J. Schmalz GmbH | Johannes-Schmalz-Straße, 72293 Glatten, Deutschland | +49 7443 2403-102 |
customercenter@schmalz.de