

Flat suction cup (round)

<https://www.schmalz.com/10.01.01.11038>



PFYN-F 20 SI-50 G1/8-AG
M5-IG S

Part no.: 10.01.01.11038

Homepage > Vacuum Technology for Automation > Vacuum Components > Vacuum Suction Cups > Flat Suction Cups (Round) > Flat Suction Cups

PFYN-F > PFYN-F 20 SI-50 G1/8-AG M5-IG S

Flat suction cup (round)



Size: 20

Suction cup material: Silicone SI

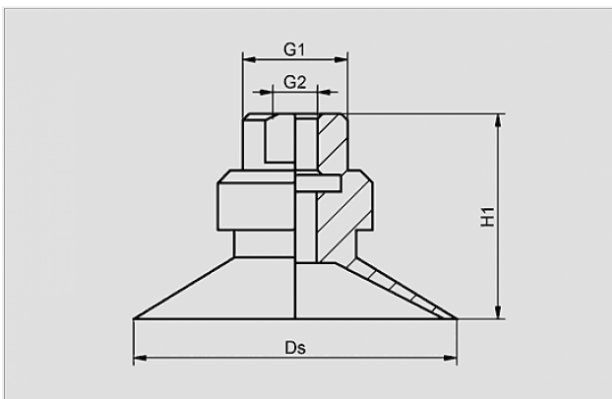
Material hardness: 50 °Sh

Vacuum connection: G1/8-M

alt. Vacuum connection: M5-F

Additional feature: Sieve

Design Data



Attribute	Value
Ds	20 mm
G2	M5-F
H1	17.5 mm

Technical Data

Attribute	Value
Weight	4.2 g
Suction cup material	Silicone SI
Number of folds	0

Contact to Schmalz

J. Schmalz GmbH | Johannes-Schmalz-Straße, 72293 Glatten, Deutschland | +49 7443 2403-102 | customercenter@schmalz.de

Spare Parts



SA-NIP G1/8-AG

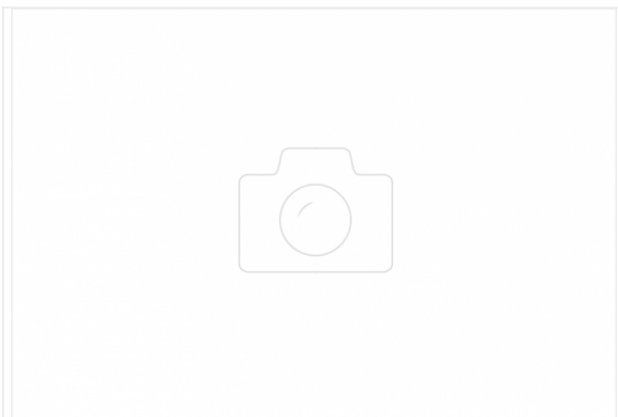
Part no. 10.01.01.10935

Suction cup connection nipple

Thread G1: G1/8-M

Fitting length: 11 mm

Material: Aluminium



HUEL 7.5-4.8x5

Part no. 10.01.01.11016

Sleeve

External diameter D: 7.5 mm

Internal diameter d: 4.8 mm

Length L: 5 mm



PFG-F 20 SI-50

Part no. 10.01.01.11015

Flat suction cup (round)

Size: 20

Suction cup material: Silicone SI

Material hardness: 50 °Sh